

# NEMA Type 4X

## Pushbutton Fiberglass Enclosures

### **STANDARD FEATURES**

- Three pushbutton layouts available 1-7 cover holes
- Lift off cover design
- Recessed captive stainless steel screws
- Notched keyhole design
- Metal grounding strap furnished
- Poured polyurethane gasket provides water-tight, dust-tight seal
- Light weight and impact resistant

### **DESIGN OPTIONS**

- External mounting feet available
- Drilled entries and cut-outs available
- Installation of cover operators

### **MATERIAL**

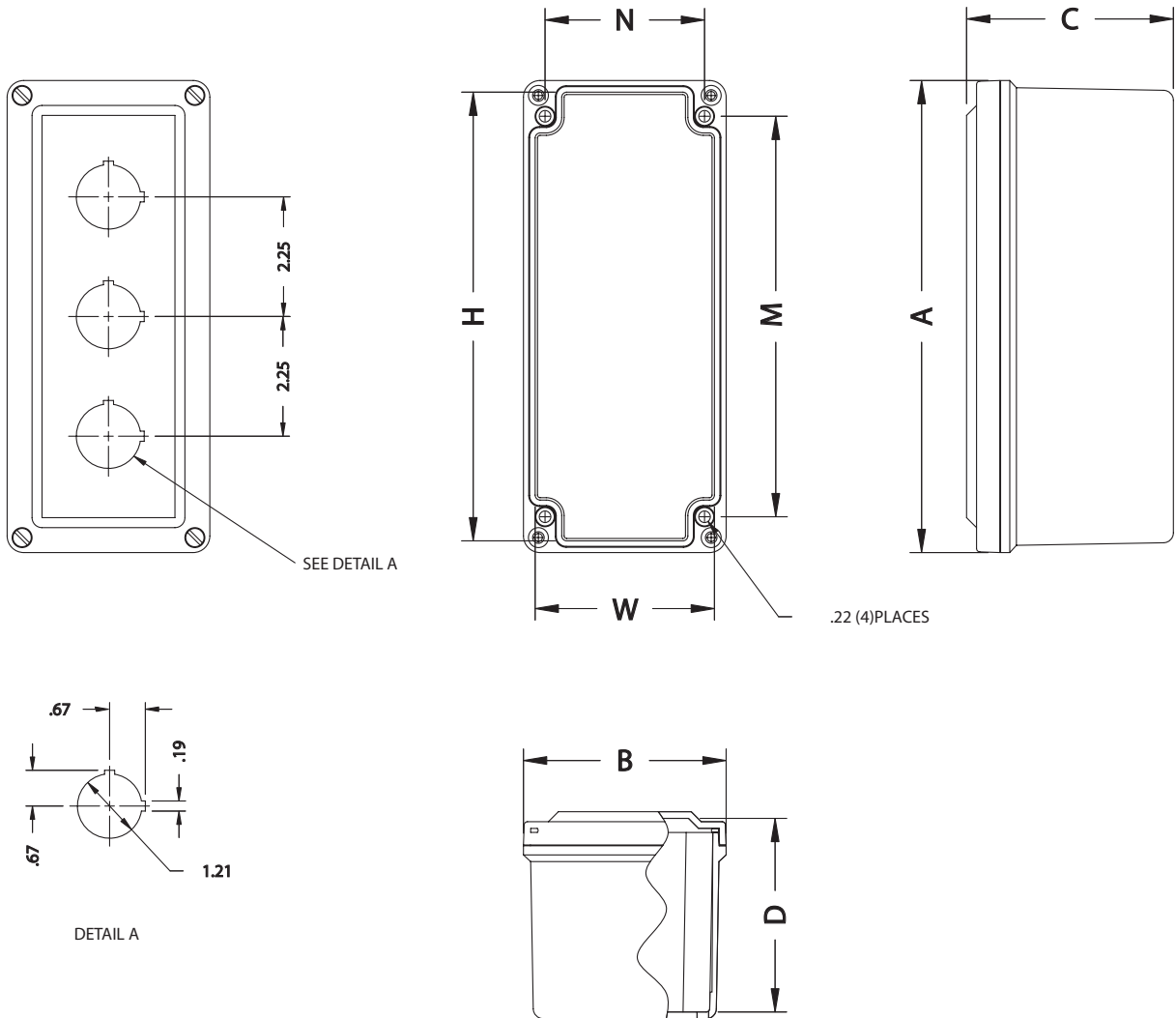
- Hot compression molded fiberglass reinforced polyester (thermoset)
- Non-corrosive and UV resistant
- Smooth surface, no color variations, swirls, or color pockets
- Non-flame propagating and chemical resistant
- Color is Light Gray

### **CERTIFICATIONS**

- UL 50
- CSA Std 22.2 No. 94
- NEMA Type 1, 3, 4X, 6P, 12
- Temperature Range - 40° C to +120° C (-40° F to +250° F)
- Flammability Rating UL94-5V



# NEMA Type 4X



Fiberglass

### FIBERGLASS

Catalog #	Overall Dimensions			Inside Dimensions			Mounting Dim.		Weight	Panel Cat #
	A	B	C	H	W	D	M	N		
N4X-FG-1PB	6.63	3.81	3.89	6	3.19	3.63	4.88	2.94	2 lbs.	No Panel
N4X-FG-2PB	6.63	3.81	3.89	6	3.19	3.63	4.88	2.94	2 lbs.	No Panel
N4X-FG-3PB	8.88	3.81	3.89	8.26	3.19	3.63	7.13	2.94	2 lbs.	No Panel
N4X-FG-4PB	11.13	3.81	3.89	10.51	3.19	3.63	9.37	2.94	2 lbs.	No Panel
N4X-FG-5PB	13.78	3.63	3.14	13.19	3.03	2.87	12.37	2.75	2 lbs.	No Panel
N4X-FG-6PB	17.35	3.63	3.14	16.75	3.03	2.87	15.94	2.75	3 lbs.	No Panel
N4X-FG-7PB	17.35	3.63	3.14	16.75	3.03	2.87	15.94	2.75	3 lbs.	No Panel

All measurements are in inches

# NEMA Type 4X

## Flush Cover Fiberglass Enclosures

### STANDARD FEATURES

- Nine standard sizes available
- Lift off cover design
- Recessed captive stainless steel screws
- Small raised beveled cover
- Cover flush with enclosure sides
- Poured polyurethane gasket provides water-tight, dust-tight seal
- Light weight and impact resistant

### DESIGN OPTIONS

- External mounting feet available
- Drilled entries and cut-outs available
- Molded in custom colors
- Silk screening, paint, and decals

### MATERIAL

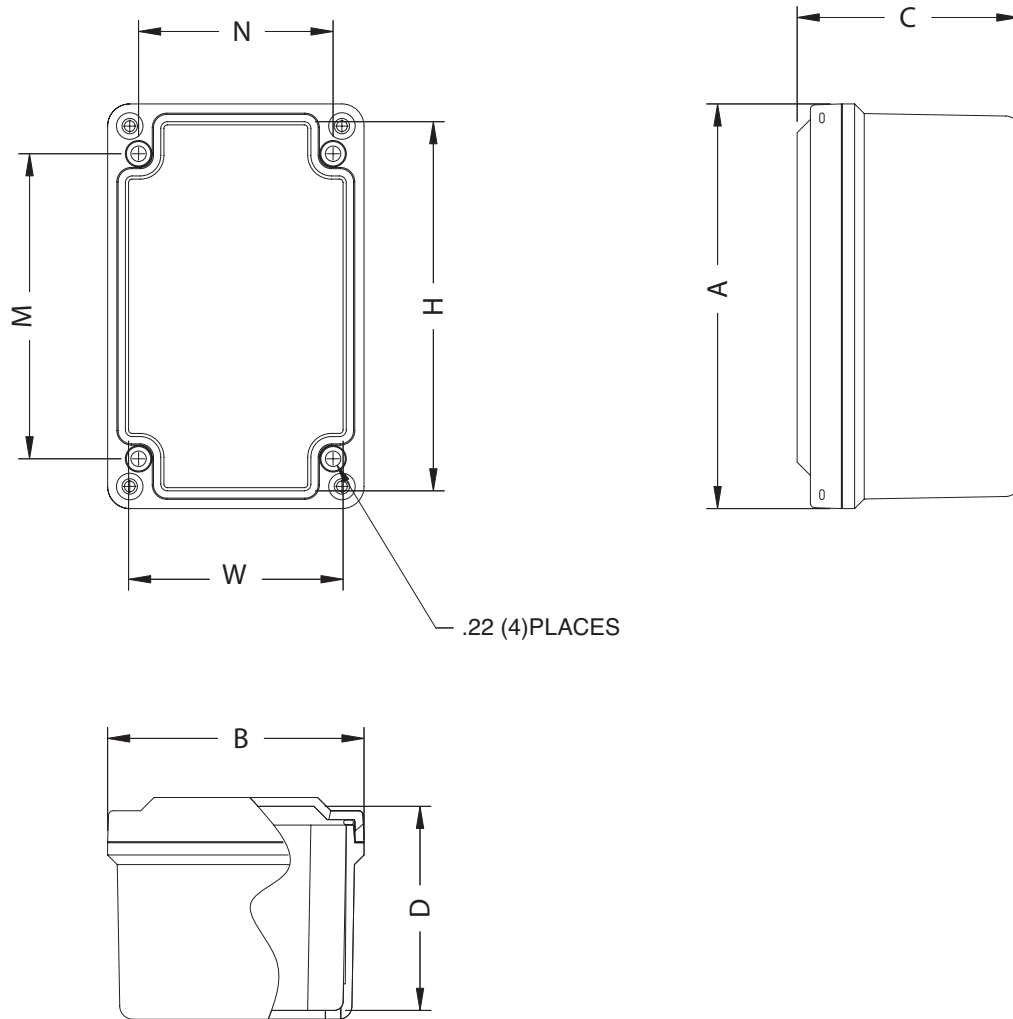
- Hot compression molded fiberglass reinforced polyester (thermoset)
- Non-corrosive and UV resistant
- Smooth surface, no color variations, swirls, or color pockets
- Non-flame propagating and chemical resistant
- Color described as Light Gray

### CERTIFICATIONS

- UL 50
- CSA Std 22.2 No. 94
- NEMA Type 1, 3, 4X, 6P, 12
- Temperature Range - 40° C to +120° C (-40° F to +250° F)
- Flammability Rating UL94-5V



# NEMA Type 4X



Fiberglass

### FIBERGLASS

Catalog #	Overall Dimensions			Inside Dimensions			Mounting Dim.		Weight Lbs.	Panel Cat #
	A	B	C	H	W	D	M	N		
N4X-FG-030302	3.72	3.63	2.95	3.13	3.03	2.70	2.31	2.75	1 lbs.	No Panel
N4X-FG-050302	5.97	3.63	3.14	5.38	3.03	2.87	4.56	2.75	1 lbs.	No Panel
N4X-FG-060404	6.63	3.81	3.89	6	3.19	3.63	4.88	2.94	2 lbs.	No Panel
N4X-FG-080302	8.41	3.63	3.14	7.82	3.03	2.87	7.00	2.75	2 lbs.	No Panel
N4X-FG-080404	8.88	3.81	3.89	8.26	3.19	3.63	7.13	2.94	2 lbs.	No Panel
N4X-FG-090302	9.35	3.63	3.14	8.75	3.03	2.87	7.94	2.75	2 lbs.	No Panel
N4X-FG-110404	11.13	3.81	3.89	10.51	3.19	3.63	9.37	2.94	2 lbs.	No Panel
N4X-FG-140302	13.78	3.63	3.14	13.19	3.03	2.87	12.37	2.75	2 lbs.	No Panel
N4X-FG-170302	17.35	3.63	3.14	16.75	3.03	2.87	15.94	2.75	3 lbs.	No Panel

All measurements are in inches

# NEMA Type 4X

## Small Screw Cover Fiberglass Enclosures

### **STANDARD FEATURES**

- Two standard sizes available
- Lift off cover design
- Recessed captive stainless steel screws
- Molded in panel mounting inserts
- Poured polyurethane gasket provides water-tight, dust-tight seal
- Light weight and impact resistant

### **DESIGN OPTIONS**

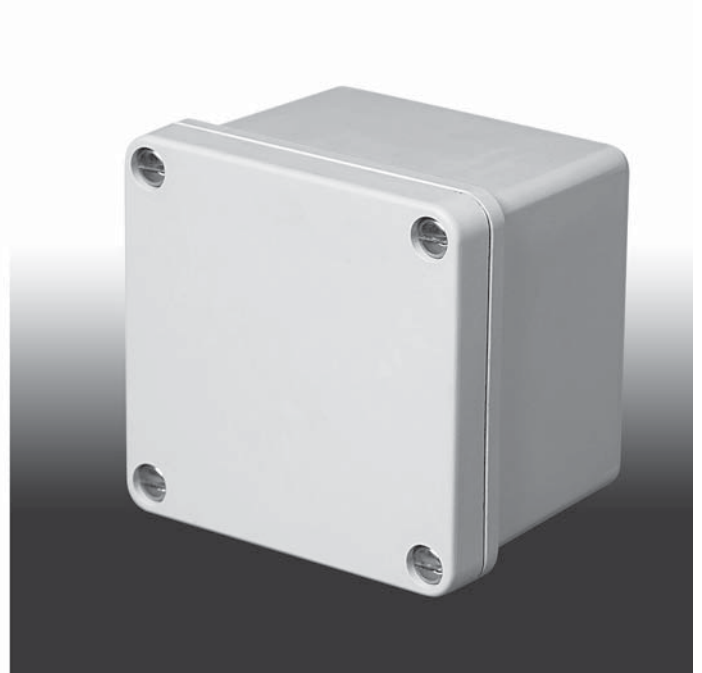
- External mounting feet available
- Mounting panels
- Drilled entries and cut-outs available
- Molded in custom colors
- Silk screening, paint, and decals

### **MATERIAL**

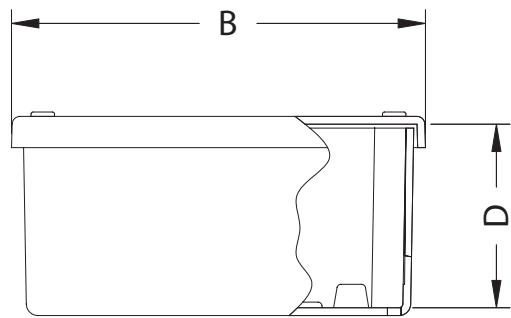
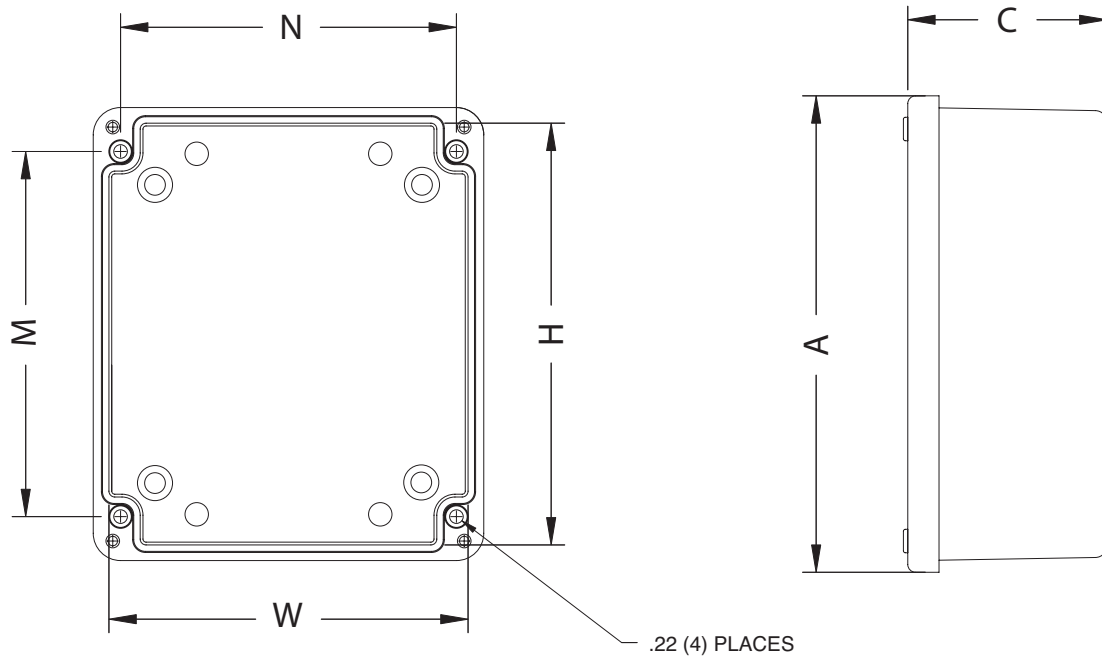
- Hot compression molded fiberglass reinforced polyester (thermoset)
- Non-corrosive and UV resistant
- Smooth surface, no color variations, swirls, or color pockets
- Non-flame propagating and chemical resistant
- Color described as Light Gray

### **CERTIFICATIONS**

- UL 50
- CSA Std 22.2 No. 94
- NEMA Type 1, 3, 4X, 6P, 12
- Temperature Range - 40° C to +120° C (- 40° F to +250° F)
- Flammability Rating UL94-5V



# NEMA Type 4X



### FIBERGLASS

Catalog #	Overall Dimensions			Inside Dimensions			Mounting Dim.		Weight	Panel Cat #	Panel Dim.	
	A	B	C	H	W	D	M	N			Lbs.	
N4X-FG-070603	7.63	6.63	3.19	6.90	5.90	2.88	5.37	4.25	3 lbs.	BP76A	6.00	4.88
N4X-FG-090603	9.87	6.63	3.19	9.15	5.90	2.88	7.62	4.25	3 lbs.	BP96A	8.25	4.88

All measurements are in inches

Fiberglass

# NEMA Type 4X

## Screw Cover Fiberglass Enclosures

### **STANDARD FEATURES**

- Five standard sizes available
- Lift off cover design
- Surface flat stainless steel screws
- Integral mounting flange
- Stainless steel beaded cover chain
- Poured polyurethane gasket provides water-tight, dust-tight seal
- Light weight and impact resistant

### **DESIGN OPTIONS**

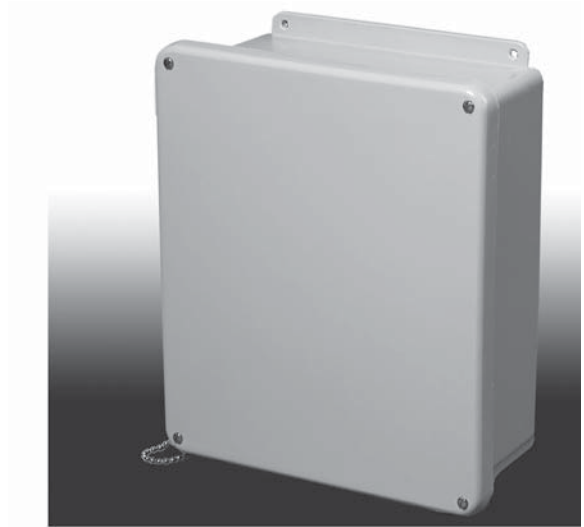
- Mounting panels
- Drilled entries and cut-outs available
- Molded in custom colors
- Silk screening, paint, and decals

### **MATERIAL**

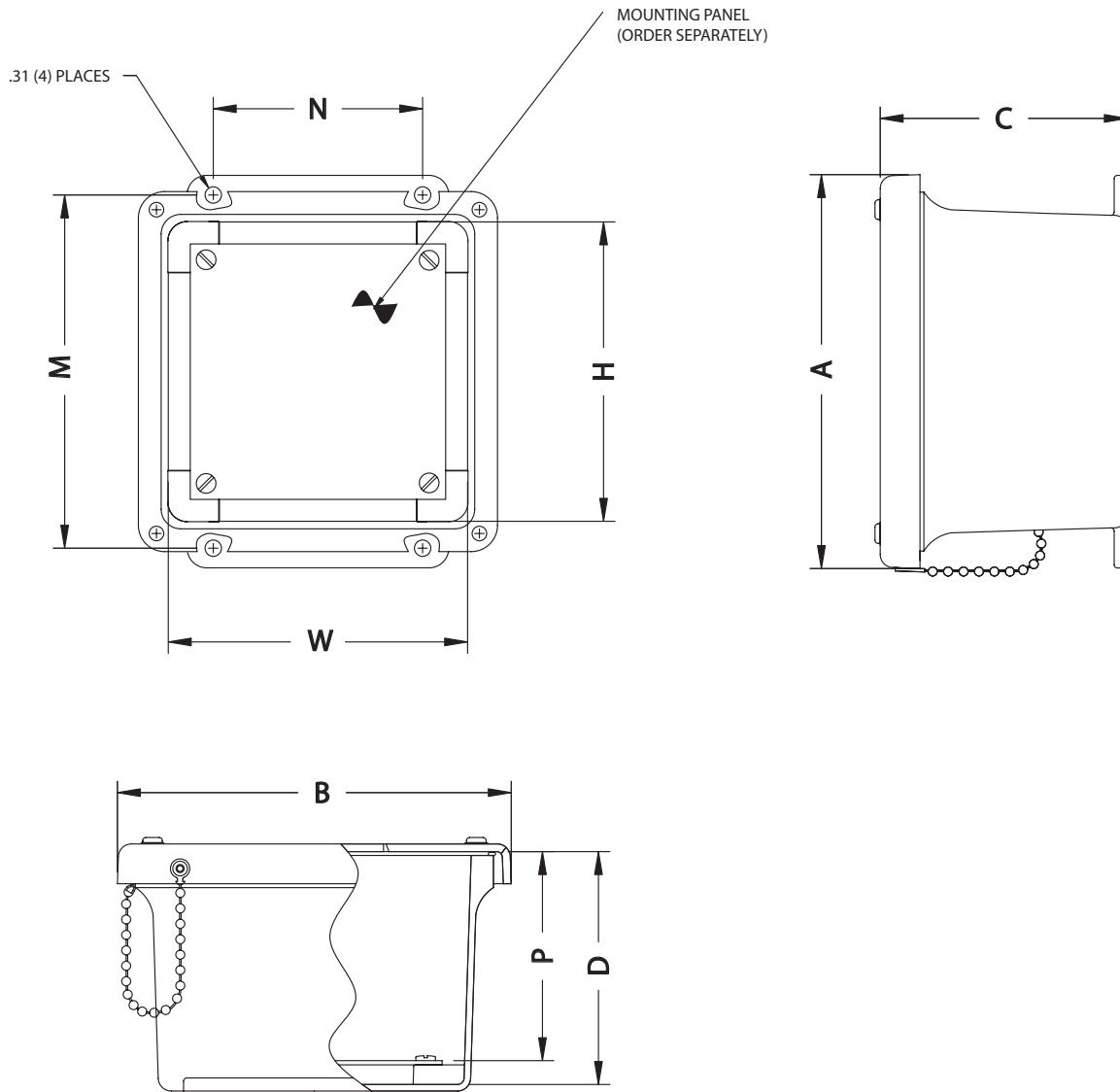
- Hot compression molded fiberglass reinforced polyester (thermoset)
- Non-corrosive and UV resistant
- Smooth surface, no color variations, swirls, or color pockets
- Non-flame propagating and chemical resistant
- Color described as Light Gray

### **CERTIFICATIONS**

- UL 50
- CSA Std 22.2 No. 94
- NEMA Type 1, 3, 4X, 6P, 12
- Temperature Range - 40° C to +120° C -( 40° F to +250° F)
- Flammability Rating UL94-5V



# NEMA Type 4X



Fiberglass

**FIBERGLASS**

Catalog #	Overall Dimensions			Inside Dimensions			Mounting Dimensions			Weight Lbs.	Panel Cat #	Panel Dim.	
	A	B	C	H	W	D	M	N	P				
N4X-FG-060404SC	7.50	5.43	4.75	5.84	3.85	4.45	6.75	2.00	4.00	2.50 lbs.	BP64A	4.88	2.88
N4X-FG-060604SC	7.50	7.50	4.75	5.72	5.72	4.45	6.75	4.00	4.00	2.75 lbs.	BP66A	4.88	4.88
N4X-FG-080604SC	9.62	7.50	4.74	7.73	5.74	4.45	8.88	4.00	4.00	3.50 lbs.	BP86A	6.88	4.88
N4X-FG-080804SC	9.56	9.38	4.89	7.73	7.73	4.64	8.75	6.00	4.06	4.00 lbs.	BP88A	6.88	6.88
N4X-FG-100804SC	11.62	9.41	4.25	9.73	7.73	3.98	10.75	6.00	3.50	5 lbs.	BP108A	8.88	6.88
N4X-FG-121005SC	13.56	11.43	5.21	11.79	9.80	4.94	12.75	8.00	4.50	6.50 lbs.	BP1210A	10.88	8.88
N4X-FG-121206SC	13.56	13.38	6.36	11.70	11.70	6.11	12.75	10.00	5.53	3.20 lbs.	BP1212A	10.88	10.88
N4X-FG-140706SC	15.87	8.75	6.81	14.00	7.00	6.56	15.00	5.00	6.12	6.25 lbs.	BP147A	12.88	5.88
N4X-FG-141206SC	15.50	13.50	6.25	13.53	11.55	5.94	14.62	10.00	5.37	8.50 lbs.	BP1412A	12.88	10.88
N4X-FG-161406SC	17.53	15.46	6.23	15.63	13.60	5.94	16.75	12.00	5.36	11.50 lbs.	BP1614A	14.88	12.88
N4X-FG-181608SC	19.62	17.61	8.82	17.69	15.69	8.45	18.88	12.00	7.99	19.25 lbs.	BP1816A	16.88	14.88
N4X-FG-201608SC	22.00	17.68	8.83	19.72	15.72	8.45	21.25	10.00	8.00	20.25 lbs.	BP2016A	18.88	14.88

All measurements are in inches



# NEMA Type 4X

## Hinged Screw Cover Fiberglass Enclosures

### **STANDARD FEATURES**

- Twelve standard sizes available
- Full length stainless steel hinged cover
- Surface flat stainless steel screws on non-hinged side
- Integral mounting flange
- Cover opens full 180°+
- Mounting bosses with threaded brass inserts for mounting panel installation
- Poured polyurethane gasket provides water-tight, dust-tight seal
- Light weight and impact resistant

### **DESIGN OPTIONS**

- Mounting panels
- Drilled entries and cut-outs available
- Molded in custom colors
- Silk screening, paint, and decals

### **MATERIAL**

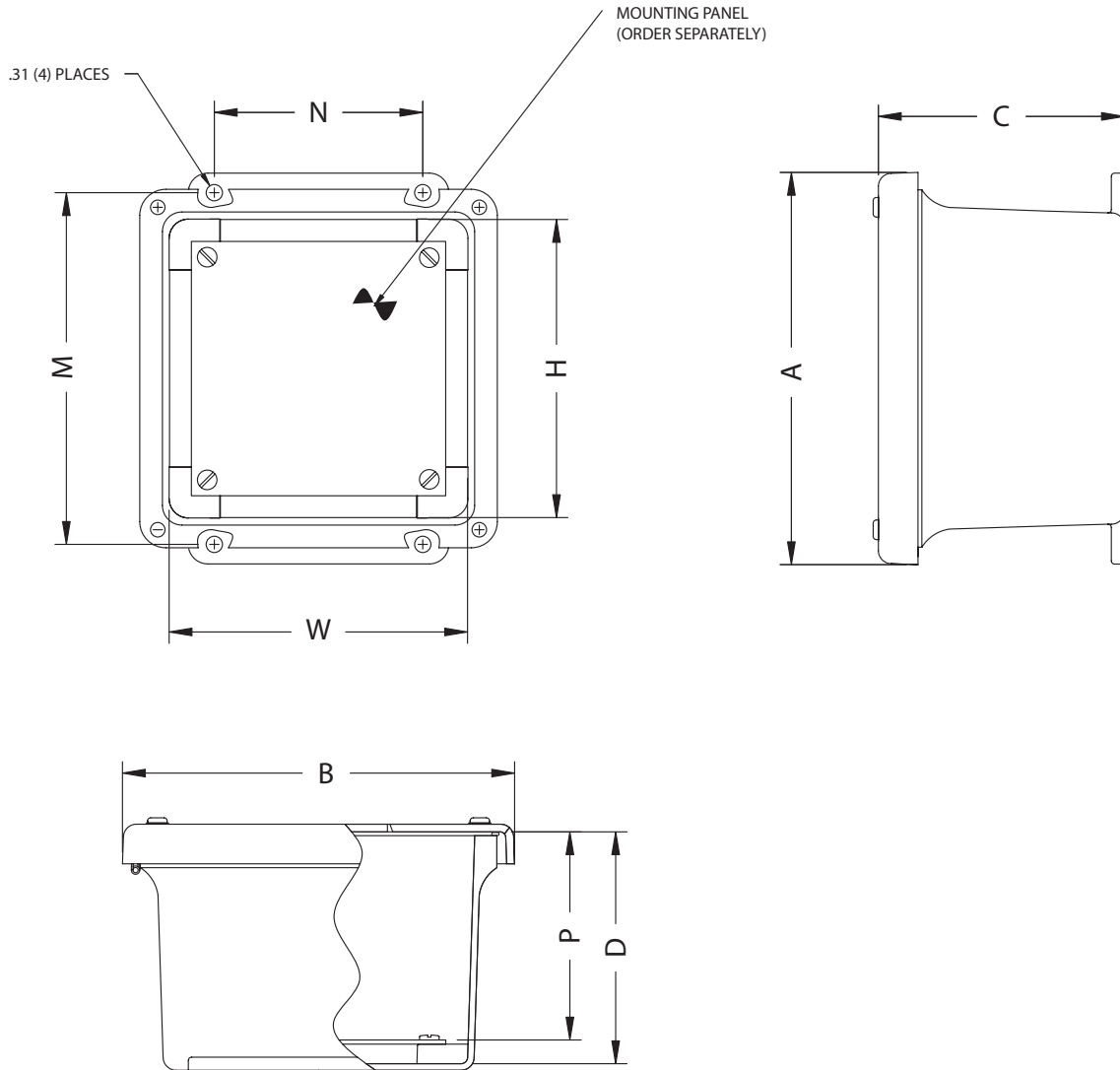
- Hot compression molded fiberglass reinforced polyester (thermoset)
- Non-corrosive and UV resistant
- Smooth surface, no color variations, swirls, or color pockets
- Non-flame propagating and chemical resistant
- Color described as Light Gray

### **CERTIFICATIONS**

- UL 50
- CSA Std 22.2 No. 94
- NEMA Type 1, 3, 4X, 6P, 12
- Temperature Range - 40° C to +120° C (-40° F to +250° F)
- Flammability Rating UL94-5V



# NEMA Type 4X



All measurements are in inches

## FIBERGLASS

Catalog #	Overall Dimensions			Inside Dimensions			Mounting Dimensions			Weight Lbs.	Panel Cat #	Panel Dim.	
	A	B	C	H	W	D	M	N	P				
N4X-FG-060404CHSC	7.50	5.43	4.75	5.84	3.85	4.45	6.75	2.00	4.00	2.50 lbs.	BP64A	4.88	2.88
N4X-FG-060604CHSC	7.50	7.50	4.75	5.72	5.72	4.45	6.75	4.00	4.00	2.75 lbs.	BP66A	4.88	4.88
N4X-FG-080604CHSC	9.62	7.50	4.74	7.73	5.74	4.45	8.88	4.00	4.00	3.50 lbs.	BP86A	6.88	4.88
N4X-FG-080804CHSC	9.56	9.38	4.89	7.73	7.73	4.64	8.75	6.00	4.00	4.00 lbs.	BP88A	6.88	6.88
N4X-FG-100804CHSC	11.62	9.41	4.25	9.73	7.73	3.98	10.75	6.00	3.50	5.00 lbs.	BP108A	8.88	6.88
N4X-FG-121005CHSC	13.56	11.43	5.21	11.79	9.80	4.94	12.75	8.00	4.50	6.50 lbs.	BP1210A	10.88	8.88
N4X-FG-121206CHSC	13.56	13.38	6.36	11.70	11.70	6.11	12.75	10.00	5.53	3.20 lbs.	BP1212A	10.88	10.88
N4X-FG-140706CHSC	15.87	8.75	6.81	14.00	7.00	6.56	15.00	5.00	6.12	6.25 lbs.	BP147A	12.88	5.88
N4X-FG-141206CHSC	15.50	13.50	6.25	13.53	11.55	5.94	14.62	10.00	5.37	8.50 lbs.	BP1412A	12.88	10.88
N4X-FG-161406CHSC	17.53	15.46	6.23	15.63	13.60	5.94	16.75	12.00	5.36	11.50 lbs.	BP1614A	14.88	12.88
N4X-FG-181608CHSC	19.62	17.61	8.82	17.69	15.69	8.45	18.88	12.00	7.99	19.25 lbs.	BP1816A	16.88	14.88
N4X-FG-201608CHSC	22.00	17.68	8.83	19.72	15.72	8.45	21.25	10.00	8.00	20.25 lbs.	BP2016A	18.88	14.88

# NEMA Type 4X

## Quick Release Latch Fiberglass Enclosures

### Flat Cover

Fiberglass

#### **STANDARD FEATURES**

- Twelve standard sizes available
- Padlockable quick release latch for quick entry
- Full length stainless steel hinged cover
- Integral mounting flange
- Cover opens full 180°+
- Mounting bosses with threaded brass inserts for mounting panel installation
- Poured polyurethane gasket provides water-tight, dust-tight seal
- Light weight and impact resistant

#### **DESIGN OPTIONS**

- Mounting panels
- Drilled entries and cut-outs available
- Molded in custom colors
- Silk screening, paint, and decals

#### **MATERIAL**

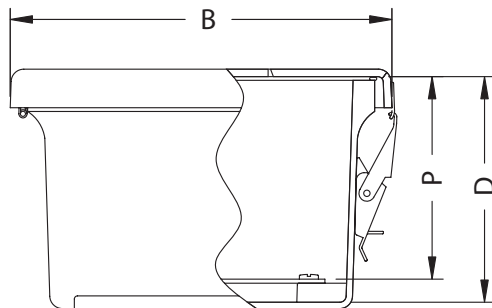
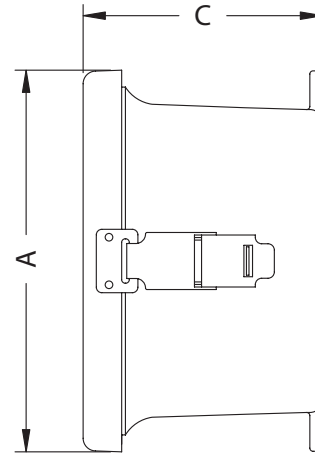
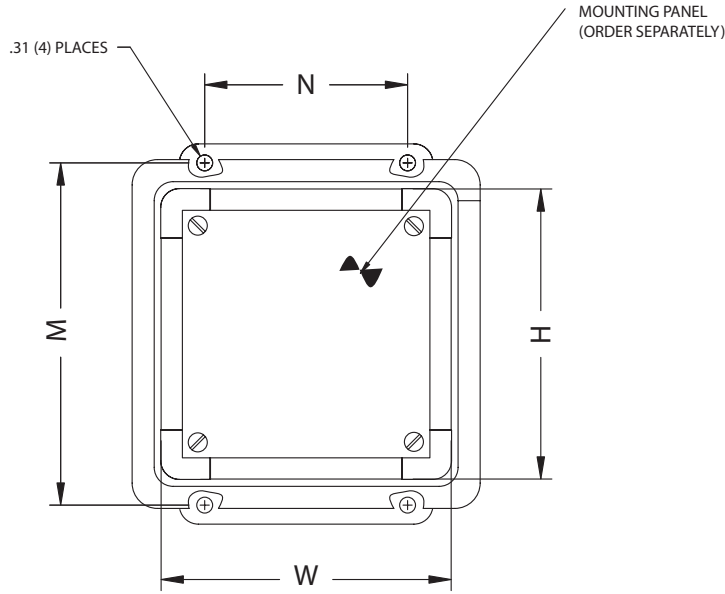
- Hot compression molded fiberglass reinforced polyester (thermoset)
- Non-corrosive and UV resistant
- Smooth surface, no color variations, swirls, or color pockets
- Non-flame propagating and chemical resistant
- Color described as Light Gray

#### **CERTIFICATIONS**

- UL 50
- CSA Std 22.2 No. 94
- NEMA Type 1, 2, 4X, 6P, 12
- Temperature Range - 40° C to +120° C (-40° F to +150° F)
- Flammability Rating UL94-5V



# NEMA Type 4X



**FIBERGLASS**

Catalog #	Overall Dimensions			Inside Dimensions			Mounting Dimensions			Weight Lbs.	Panel Cat #	Panel Dim.	
	A	B	C	H	W	D	M	N	P				
N4X-FG-060404CHQR	7.50	5.43	4.75	5.84	3.85	4.45	6.75	2.00	4.00	2.50 lbs.	BP64A	4.88	2.88
N4X-FG-060604CHQR	7.50	7.50	4.75	5.72	5.72	4.45	6.75	4.00	4.00	2.75 lbs.	BP66A	4.88	4.88
N4X-FG-080604CHQR	9.62	7.50	4.74	7.73	5.74	4.45	8.88	4.00	4.00	3.50 lbs.	BP86A	6.88	4.88
N4X-FG-080804CHQR	9.56	9.38	4.89	7.73	7.73	4.64	8.75	6.00	4.06	4.00 lbs.	BP88A	6.88	6.88
N4X-FG-100804CHQR	11.62	9.41	4.25	9.73	7.73	3.98	10.75	6.00	3.50	5.00 lbs.	BP108A	8.88	6.88
N4X-FG-121005CHQR	13.56	11.43	5.21	11.79	9.80	4.94	12.75	8.00	4.50	6.50 lbs.	BP1210A	10.88	8.88
N4X-FG-121206CHQR	13.56	13.38	6.36	11.70	11.70	6.11	12.75	10.00	5.53	3.20 lbs.	BP1212A	10.88	10.88
N4X-FG-140706CHQR	15.87	8.75	6.81	14.00	7.00	6.56	15.00	5.00	6.12	6.25 lbs.	BP147A	12.88	5.88
N4X-FG-141206CHQR	15.50	13.50	6.25	13.53	11.55	5.94	14.62	10.00	5.37	8.50 lbs.	BP1412A	12.88	10.88
N4X-FG-161406CHQR	17.53	15.46	6.23	15.63	13.60	5.94	16.75	12.00	5.36	11.50 lbs.	BP1614A	14.88	12.88
N4X-FG-181608CHQR	19.62	17.61	8.82	17.69	15.69	8.45	18.88	12.00	7.99	19.25 lbs.	BP1816A	16.88	14.88
N4X-FG-201608CHQR	22.00	17.68	8.83	19.72	15.72	8.45	21.25	10.00	8.00	20.25 lbs.	BP2016A	18.88	14.88

All measurements are in inches

# NEMA Type 4X

## Twist Latch Fiberglass Enclosures

### Flat Cover

Fiberglass

#### **STANDARD FEATURES**

- Twelve standard sizes available
- Twist latch for quick entry
- Full length stainless steel hinged cover
- Integral mounting flange
- Cover opens full 180°+
- Mounting bosses with threaded brass inserts for mounting panel installation
- Poured polyurethane gasket provides water-tight, dust-tight seal
- Light weight and impact resistant

#### **DESIGN OPTIONS**

- Mounting panels
- Drilled entries and cut-outs available
- Molded in custom colors
- Silk screening, paint, and decals

#### **MATERIAL**

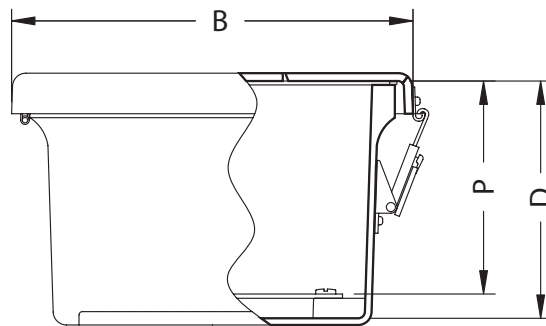
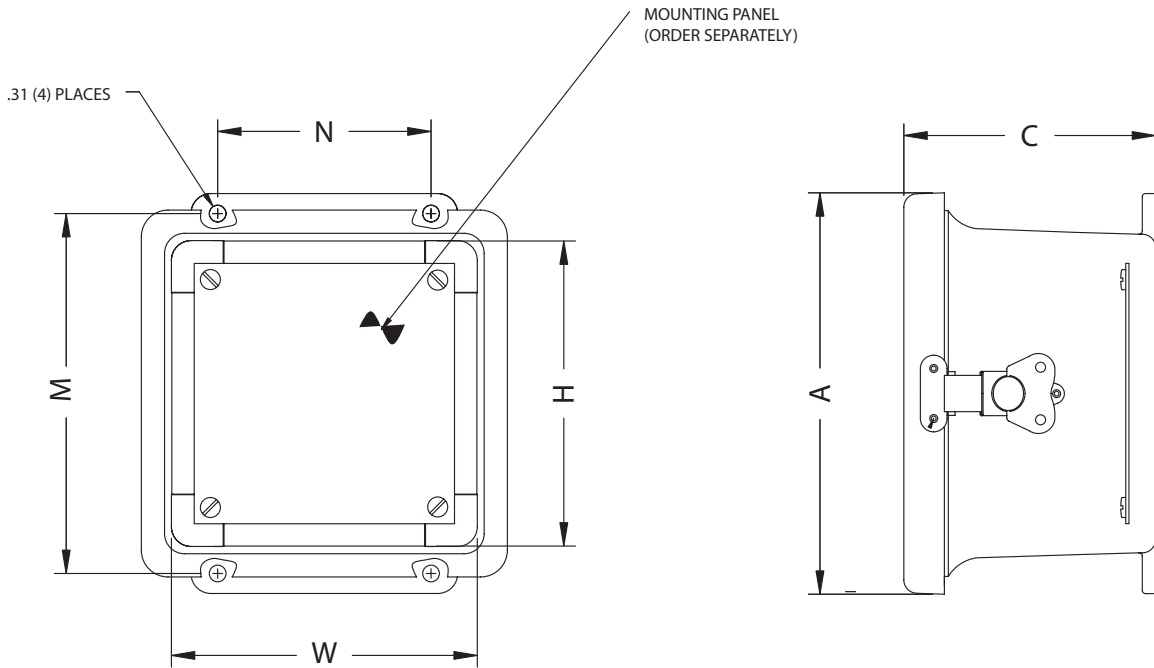
- Hot compression molded fiberglass reinforced polyester (thermoset)
- Non-corrosive and UV resistant
- Smooth surface, no color variations, swirls, or color pockets
- Non-flame propagating and chemical resistant

#### **CERTIFICATIONS**

- UL 50
- CSA Std 22.2 No. 94
- NEMA Type 1, 3, 4X, 6P, 12
- Temperature Range - 40° C to +120° C (-40° F to +250° F)
- Flammability Rating UL94-5V



# NEMA Type 4X



**FIBERGLASS**

Catalog #	Overall Dimensions			Inside Dimensions			Mounting Dimensions			Weight Lbs.	Panel Cat #	Panel Dim.	
	A	B	C	H	W	D	M	N	P				
N4X-FG-060404CHTL	7.50	5.43	4.75	5.84	3.85	4.45	6.75	2.00	4.00	2.50 lbs.	BP64A	4.88	2.88
N4X-FG-060604CHTL	7.50	7.50	4.75	5.72	5.72	4.45	6.75	4.00	4.00	2.75 lbs.	BP66A	4.88	4.88
N4X-FG-080604CHTL	9.62	7.50	4.74	7.73	5.74	4.45	8.88	4.00	4.00	3.50 lbs.	BP86A	6.88	4.88
N4X-FG-080804CHTL	9.56	9.38	4.89	7.73	7.73	4.64	8.75	6.00	4.06	4.00 lbs.	BP88A	6.88	6.88
N4X-FG-100804CHTL	11.62	9.41	4.25	9.73	7.73	3.98	10.75	6.00	3.50	5.00 lbs.	BP108A	8.88	6.88
N4X-FG-121005CHTL	13.56	11.43	5.21	11.79	9.80	4.94	12.75	8.00	4.50	6.50 lbs.	BP1210A	10.88	8.88
N4X-FG-121206CHTL	13.56	13.38	6.36	11.70	11.70	6.11	12.75	10.00	5.53	3.20 lbs.	BP1212A	10.88	10.88
N4X-FG-140706CHTL	15.87	8.75	6.81	14.00	7.00	6.56	15.00	5.00	6.12	6.25 lbs.	BP147A	12.88	5.88
N4X-FG-141206CHTL	15.50	13.50	6.25	13.53	11.55	5.94	14.62	10.00	5.37	8.50 lbs.	BP1412A	12.88	10.88
N4X-FG-161406CHTL	17.53	15.46	6.23	15.63	13.60	5.94	16.75	12.00	5.36	11.50 lbs.	BP1614A	14.88	12.88
N4X-FG-181608CHTL	19.62	17.61	8.82	17.69	15.69	8.45	18.88	12.00	7.99	19.25 lbs.	BP1816A	16.88	14.88
N4X-FG-201608CHTL	22.00	17.68	8.83	19.72	15.72	8.45	21.25	10.00	8.00	20.25 lbs.	BP2016A	18.88	14.88

All measurements are in inches

# NEMA Type 4X

## Quick Release Latch Fiberglass Enclosures

### Raised Cover

#### **STANDARD FEATURES**

- Eleven standard sizes available
- Padlock quick release latch for quick entry
- Raised cover for additional usable depth
- Full length stainless steel hinged cover
- Integral mounting flange
- Cover opens full 180°+
- Mounting bosses with threaded brass inserts for mounting panel installation
- Poured polyurethane gasket provides water-tight, dust-tight seal
- Light weight and impact resistant

#### **DESIGN OPTIONS**

- Mounting panels
- Drilled entries and cut-outs available
- Molded in custom colors
- Silk screening, paint, and decals

#### **MATERIAL**

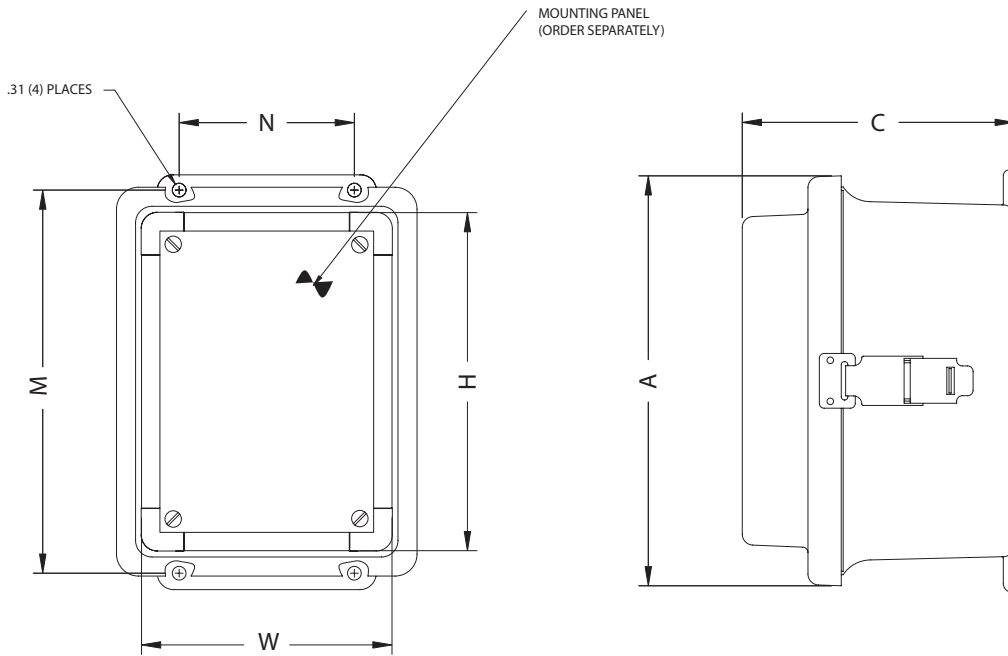
- Hot compression molded fiberglass reinforced polyester (thermoset)
- Non-corrosive and UV resistant
- Smooth surface, no color variations, swirls, or color pockets
- Non-flame propagating and chemical resistant
- Color described as Light Gray

#### **CERTIFICATIONS**

- UL 50
- CSA Std 22.2 No. 94
- NEMA Type 1, 3, 4X, 6P, 12
- Temperature Range - 40° C to +120° C (-40° F to +250° F)
- Flammability Rating UL94-5V



# NEMA Type 4X



Fiberglass

### FIBERGLASS

Catalog #	Overall Dimensions			Inside Dimensions			Mounting Dimensions			Weight Lbs.	Panel Cat #	Panel Dim.	
	A	B	C	H	W	D	M	N	P				
N4X-FG-060404RCHQR	7.50	5.47	6.22	5.84	3.85	5.95	6.75	2.00	5.49	2.50 lbs.	BP64A	4.88	2.88
N4X-FG-060604RCHQR	7.50	7.52	6.22	5.72	5.72	5.95	6.75	4.00	5.49	2.75 lbs.	BP66A	4.88	4.88
N4X-FG-080604RCHQR	9.62	7.46	6.22	7.73	5.74	5.95	8.88	4.00	5.49	3.50 lbs.	BP86A	6.88	4.88
N4X-FG-080804RCHQR	9.56	9.38	6.26	7.73	7.73	6.01	8.75	6.00	5.43	4.00 lbs.	BP88A	6.88	6.88
N4X-FG-100804RCHQR	11.62	9.37	6.61	9.73	7.73	6.36	10.75	6.00	5.91	5.00 lbs.	BP108A	8.88	6.88
N4X-FG-121005RCHQR	13.56	11.43	6.61	11.79	9.80	6.32	12.75	8.00	5.87	6.50 lbs.	BP1210A	10.88	8.88
N4X-FG-121206RCHQR	13.56	13.38	7.73	11.70	11.70	7.48	12.75	10.00	6.90	6.50 lbs.	BP1212A	10.88	10.88
N4X-FG-141206RCHQR	15.50	13.50	7.69	13.53	11.55	7.45	14.62	10.00	6.87	8.50 lbs.	BP1412A	12.88	10.88
N4X-FG-161406RCHQR	17.53	15.46	7.71	15.63	13.60	7.45	16.75	12.00	6.87	11.50 lbs.	BP1614A	14.88	12.88
N4X-FG-181608RCHQR	19.62	17.61	10.62	17.69	15.69	10.31	18.88	12.00	9.86	19.25 lbs.	BP1816A	16.88	14.88
N4X-FG-201608RCHQR	22.00	17.68	10.64	19.72	15.72	10.33	21.25	10.00	9.87	20.25 lbs.	BP2016A	18.88	14.88

All measurements are in inches



# NEMA Type 4X

## Twist Latch Fiberglass Enclosures

### Raised Cover

Fiberglass

#### **STANDARD FEATURES**

- Eleven standard sizes available
- Twist latch for quick entry
- Raised cover for additional usable depth
- Full length stainless steel hinged cover
- Integral mounting flange
- Cover opens full 180°+
- Mounting bosses with threaded brass inserts for mounting panel installation
- Poured polyurethane gasket provides water-tight, dust-tight seal
- Light weight and impact resistant

#### **DESIGN OPTIONS**

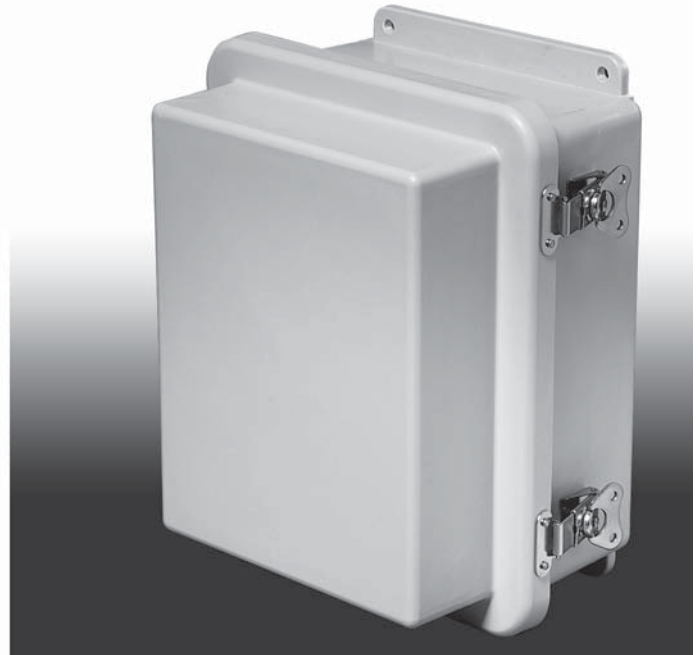
- Mounting panels
- Drilled entries and cut-outs available
- Molded in custom colors
- Silk screening, paint, and decals

#### **MATERIAL**

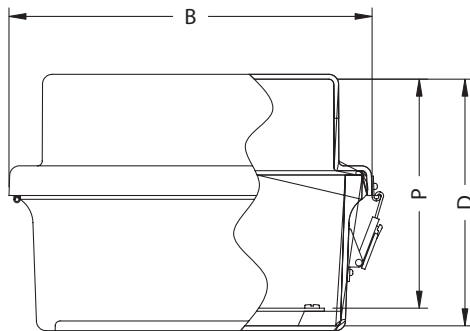
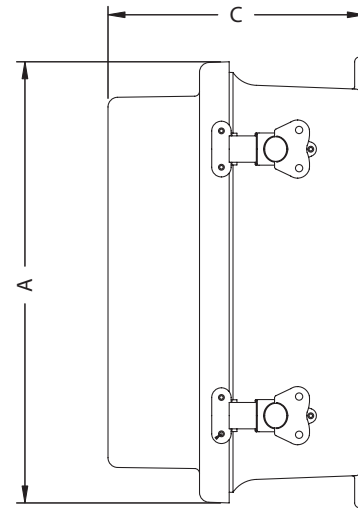
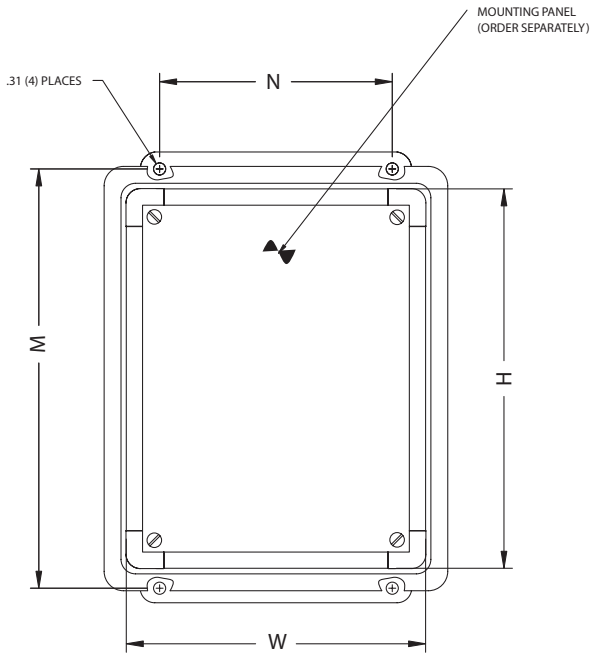
- Hot compression molded fiberglass reinforced polyester (thermoset)
- Non-corrosive and UV resistant
- Smooth surface, no color variations, swirls, or color pockets
- Non-flame propagating and chemical resistant
- Color described as Light Gray

#### **CERTIFICATIONS**

- UL 50
- CSA Std 22.2 No. 94
- NEMA Type 1, 3, 4X, 6P, 12
- Temperature Range - 40° C to +120° C (-40° F to +250° F)
- Flammability Rating UL94-5V



# NEMA Type 4X



## FIBERGLASS

Catalog #	Overall Dimensions			Inside Dimensions			Mounting Dimensions			Weight	Panel Cat #	Panel Dim.	
	A	B	C	H	W	D	M	N	P			Lbs.	
N4X-FG-060404RCHTL	7.50	5.47	6.22	5.84	3.85	5.95	6.75	2.00	5.49	2.50 lbs.	BP64A	4.88	2.88
N4X-FG-060604RCHTL	7.50	7.52	6.22	5.72	5.72	5.95	6.75	4.00	5.49	2.75 lbs.	BP66A	4.88	4.88
N4X-FG-080604RCHTL	9.62	7.46	6.22	7.73	5.74	5.95	8.88	4.00	5.49	3.50 lbs.	BP86A	6.88	4.88
N4X-FG-080804RCHTL	9.56	9.38	6.26	7.73	7.73	6.01	8.75	6.00	5.43	4.00 lbs.	BP88A	6.88	6.88
N4X-FG-100804RCHTL	11.62	9.37	6.61	9.73	7.73	6.36	10.75	6.00	5.91	5.00 lbs.	BP108A	8.88	6.88
N4X-FG-121005RCHTL	13.56	11.43	6.61	11.79	9.80	6.32	12.75	8.00	5.87	6.50 lbs.	BP1210A	10.88	8.88
N4X-FG-121206RCHTL	13.56	13.38	7.73	11.70	11.70	7.48	12.75	10.00	6.90	6.50 lbs.	BP1212A	10.88	10.88
N4X-FG-141206RCHTL	15.50	13.50	7.69	13.53	11.55	7.45	14.62	10.00	6.87	8.50 lbs.	BP1412A	12.88	10.88
N4X-FG-161406RCHTL	17.53	15.46	7.71	15.63	13.60	7.45	16.75	12.00	6.87	11.50 lbs.	BP1614A	14.88	12.88
N4X-FG-181608RCHTL	19.62	17.61	10.62	17.69	15.69	10.31	18.88	12.00	9.86	19.25 lbs.	BP1816A	16.88	14.88
N4X-FG-201608RCHTL	22.00	17.68	10.64	19.72	15.72	10.33	21.25	10.00	9.87	20.25 lbs.	BP2016A	18.88	14.88

All measurements are in inches

# NEMA Type 4X

## Large Control Fiberglass Enclosures

### **STANDARD FEATURES**

- Ten standard sizes available
- Twist latch for quick entry
- Raised cover for additional usable depth
- Stainless steel hinged cover
- Integral mounting flange
- Built in padlock hasp
- Mounting bosses with threaded brass inserts for mounting panel installation
- Poured polyurethane gasket provides water-tight, dust-tight seal
- Light weight and impact resistant

### **DESIGN OPTIONS**

- Mounting panels
- Drilled entries and cut-outs available
- Molded in custom colors
- Silk screening, paint, and decals

### **MATERIAL**

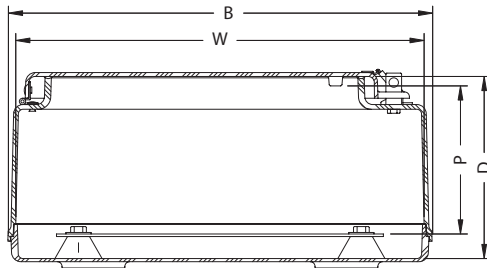
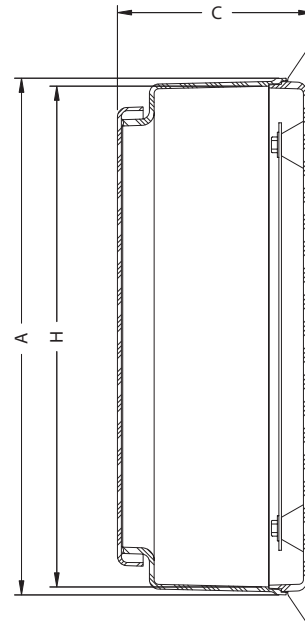
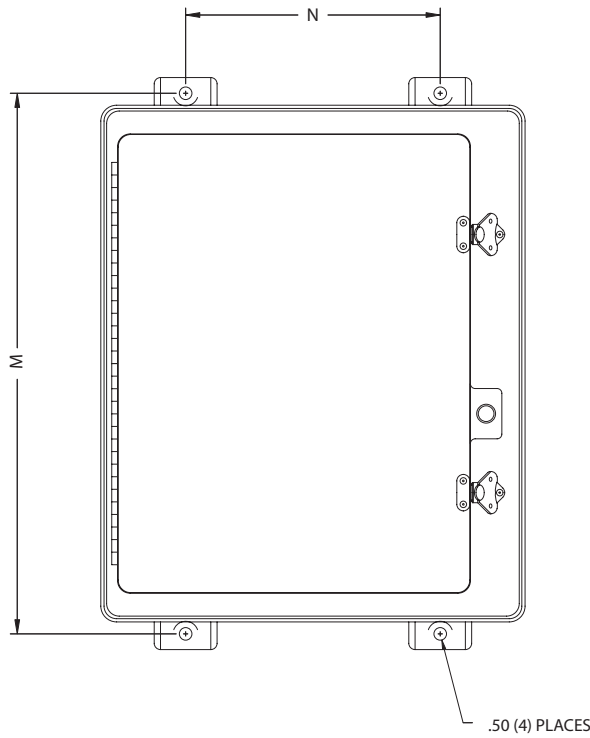
- Hot compression molded fiberglass reinforced polyester (thermoset)
- Non-corrosive and UV resistant
- Smooth surface, no color variations, swirls, or color pockets
- Non-flame propagating and chemical resistant
- Color described as Light Gray

### **CERTIFICATIONS**

- UL 50
- CSA Std 22.2 No. 94
- NEMA Type 1, 3, 4X, 6P, 12
- Temperature Range - 40° C to +120° C (-40° F to +250° F)
- Flammability Rating UL94-5V



# NEMA Type 4X



## FIBERGLASS

	A	B	C	H	W	D	M	N	P	Lbs.		
N4X-FG-201606CH	22.75	16.87	7.77	19.70	16.04	7.24	21.50	10.12	6.26	17 lbs.	BPN2016A	17.00 13.00
N4X-FG-201608CH	22.75	16.87	9.77	19.70	16.04	9.24	21.50	10.12	8.26	22 lbs.	BPN2016A	17.00 13.00
N4X-FG-201612CH	22.75	16.87	13.77	19.70	16.04	13.24	21.50	10.12	12.26	24 lbs.	BPN2016A	17.00 13.00
N4X-FG-242008CH	27.00	21.24	9.90	24.05	20.39	9.25	25.75	14.00	8.25	32 lbs.	BP2420A	21.00 17.00
N4X-FG-242410CH	27.00	25.24	11.90	24.05	24.39	11.25	25.75	17.87	10.25	42 lbs.	BP2424A	21.00 21.00
N4X-FG-302410CH	33.41	26.32	11.95	30.46	25.47	11.27	32.25	18.50	10.27	50 lbs.	BP3024A	27.00 21.00
N4X-FG-302412CH	33.41	26.32	13.79	30.46	25.47	13.10	32.25	18.50	12.10	54 lbs.	BP3024A	27.00 21.00
N4X-FG-363010CH	39.31	32.50	12.05	36.31	31.69	11.36	38.13	23.88	10.36	78 lbs.	BP3630A	33.00 27.00
N4X-FG-363012CH	39.31	32.50	14.05	36.31	31.69	13.36	38.13	23.88	12.36	81 lbs.	BP3630A	33.00 27.00
N4X-FG-483616CH	51.29	36.62	17.93	48.33	36.22	17.25	50.12	29.25	16.25	108 lbs.	BP4836A	45.00 33.00

All measurements are in inches

# NEMA Type 4X

## Premier Series

### STANDARD FEATURES

- Ten standard sizes available in clear and opaque covers
- Interchangeable covers with various hardware options
- Panel management provisions
- Stainless steel hinged cover
- Integral mounting flange
- Cover opens full 180°+
- Poured polyurethane gasket provides water-tight, dust-tight seal
- Light weight and impact resistant

### DESIGN OPTIONS

- Mounting panels
- Drilled entries and cut-outs available
- Mounting foot kit
- Molded in custom colors
- Silk screening, paint, and decals

### MATERIAL

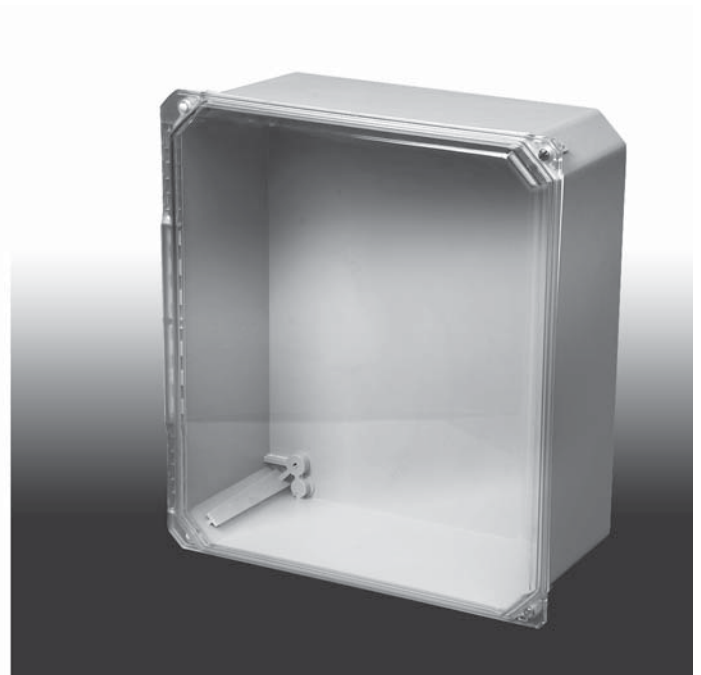
- Hot compression molded fiberglass reinforced polyester
- Non-corrosive and UV resistant
- Smooth surface, no color variations, swirls, or color pockets
- Non-flame propagating and chemical resistant
- Color described as Light Gray

### CERTIFICATIONS

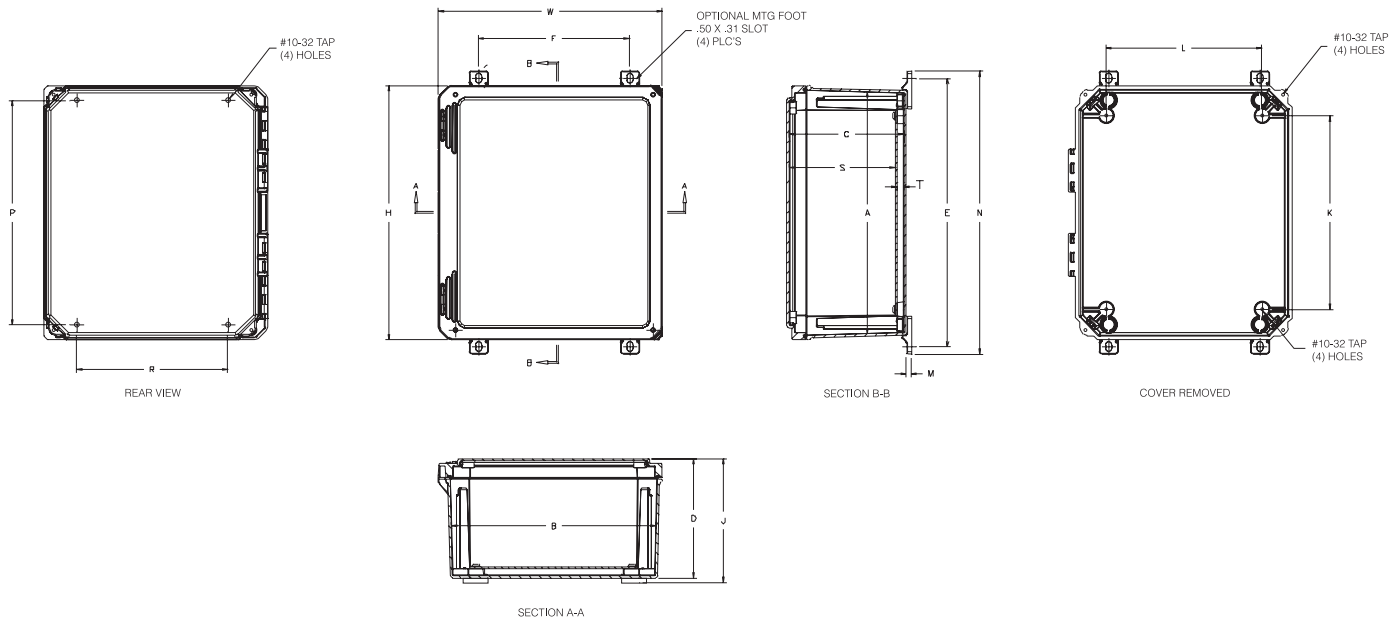
- UL 50
- CSA Std 22.2 No. 94
- NEMA Type 1, 3, 4X, 12, 13
- Temperature Range - 40° C to +120° C (-40° F to +250° F)
- Flammability Rating UL94-5V



Opaque Cover



Window Cover



**FIBERGLASS - OPAQUE COVER**

Catalog #			Overall Dimensions			Inside Dimensions			Mounting Dimensions			Weight	Panel Cat #
4 Cover Screws	Hinged - 2 Cover Screws	Hinged-2 Quick Release Latches	A	B	C	H	W	D	M	N	P	Lbs.	
N4X-PFG-060604SC	N4X-PFG-060604CHSC	N4X-PFG-060604CHQR	7.41	7.79	4.31	6.77	6.77	4.06	8.24	4	3.6	2.5 lbs.	BP66A
N4X-PFG-080604SC	N4X-PFG-080604CHSC	N4X-PFG-080604CHQR	9.41	7.79	4.31	8.77	6.77	4.06	10.21	4	3.6	3 lbs.	BP86A
N4X-PFG-080804SC	N4X-PFG-080804CHSC	N4X-PFG-080804CHQR	9.39	9.76	4.31	8.74	8.74	4.06	10.21	6	3.6	3.5 lbs.	BP88A
N4X-PFG-100806SC	N4X-PFG-100806CHSC	N4X-PFG-100806CHQR	11.42	9.79	6.31	10.73	8.73	6.06	12.19	6	5.6	4.5 lbs.	BP1008A
N4X-PFG-121006SC	N4X-PFG-121006CHSC	N4X-PFG-121006CHQR	13.45	11.83	6.31	12.69	10.69	6.06	14.18	8	5.6	6 lbs.	BP1210A
N4X-PFG-141206SC	N4X-PFG-141206CHSC	N4X-PFG-141206CHQR	15.49	13.86	6.34	14.72	12.72	6.06	16.21	10	5.6	8 lbs.	BP1412A
N4X-PFG-141208SC	N4X-PFG-141208CHSC	N4X-PFG-141208CHQR	15.49	13.86	8.34	14.66	12.66	8.06	16.19	10	7.6	9.5 lbs.	BP1412A
N4X-PFG-161408SC	N4X-PFG-161408CHSC	N4X-PFG-161408CHQR	17.58	15.96	8.34	16.69	14.69	8.06	18.26	12	7.6	11.5 lbs.	BP1614A
N4X-PFG-181610SC	N4X-PFG-181610CHSC	N4X-PFG-181610CHQR	19.77	18.15	10.34	18.63	16.63	10.06	20.24	14	9.6	16 lbs.	BP1816A
N4X-PFG-201610SC	N4X-PFG-201610CHSC	N4X-PFG-201610CHQR	21.79	18.16	10.34	20.63	16.63	10.06	22.26	14	9.6	17.5 lbs.	BP2016A

**FIBERGLASS - CLEAR COVER**

Catalog #		Overall Dimensions			Inside Dimensions			Mounting Dimensions			Weight	Panel Cat #
Hinged - 2 Cover Screws	Hinged - Quick Release Latch	A	B	C	H	W	D	M	N	P	Lbs.	
N4X-PFG-060604CHSC-CC	N4X-PFG-060604CHQR-CC	7.41	7.79	4.31	6.77	6.77	4.06	8.24	4	3.6	2.5 lbs.	BP66A
N4X-PFG-080604CHSC-CC	N4X-PFG-080604CHQR-CC	9.41	7.79	4.31	8.77	6.77	4.06	10.21	4	3.6	3 lbs.	BP86A
N4X-PFG-080804CHSC-CC	N4X-PFG-080804CHQR-CC	9.39	9.76	4.31	8.74	8.74	4.06	10.21	6	3.6	3.5 lbs.	BP88A
N4X-PFG-100806CHSC-CC	N4X-PFG-100806CHQR-CC	11.42	9.79	6.31	10.73	8.73	6.06	12.19	6	5.6	4.5 lbs.	BP1008A
N4X-PFG-121006CHSC-CC	N4X-PFG-121006CHQR-CC	13.45	11.83	6.31	12.69	10.69	6.06	14.18	8	5.6	6 lbs.	BP1210A
N4X-PFG-141206CHSC-CC	N4X-PFG-141206CHQR-CC	15.49	13.86	6.34	14.72	12.72	6.06	16.21	10	5.6	8 lbs.	BP1412A
N4X-PFG-141208CHSC-CC	N4X-PFG-141208CHQR-CC	15.49	13.86	8.34	14.66	12.66	8.06	16.19	10	7.6	9.5 lbs.	BP1412A
N4X-PFG-161408CHSC-CC	N4X-PFG-161408CHQR-CC	17.58	15.96	8.34	16.69	14.69	8.06	18.26	12	7.6	11.5 lbs.	BP1614A
N4X-PFG-181610CHSC-CC	N4X-PFG-181610CHQR-CC	19.77	18.15	10.34	18.63	16.63	10.06	20.24	14	9.6	16 lbs.	BP1816A
N4X-PFG-201610CHSC-CC	N4X-PFG-201610CHQR-CC	21.79	18.16	10.34	20.63	16.63	10.06	22.26	14	9.6	17.5 lbs.	BP2016A

All measurements are in inches

# NEMA Type 4X

## Window Series

### STANDARD FEATURES

- Thirteen standard sizes available in screw cover, hinged quick release or latch cover
- Flush mount acrylic window
- Pan head stainless steel cover screws
- Full length stainless steel hinged cover
- Integral mounting flange
- Cover opens full 180°+
- Mounting bosses with threaded brass inserts for mounting panel installation
- Poured polyurethane gasket provides water-tight, dust-tight seal
- Light weight and impact resistant

### DESIGN OPTIONS

- Mounting panels
- Drilled entries and cut-outs available
- Molded in custom colors
- Silk screening, paint, and decals

### MATERIAL

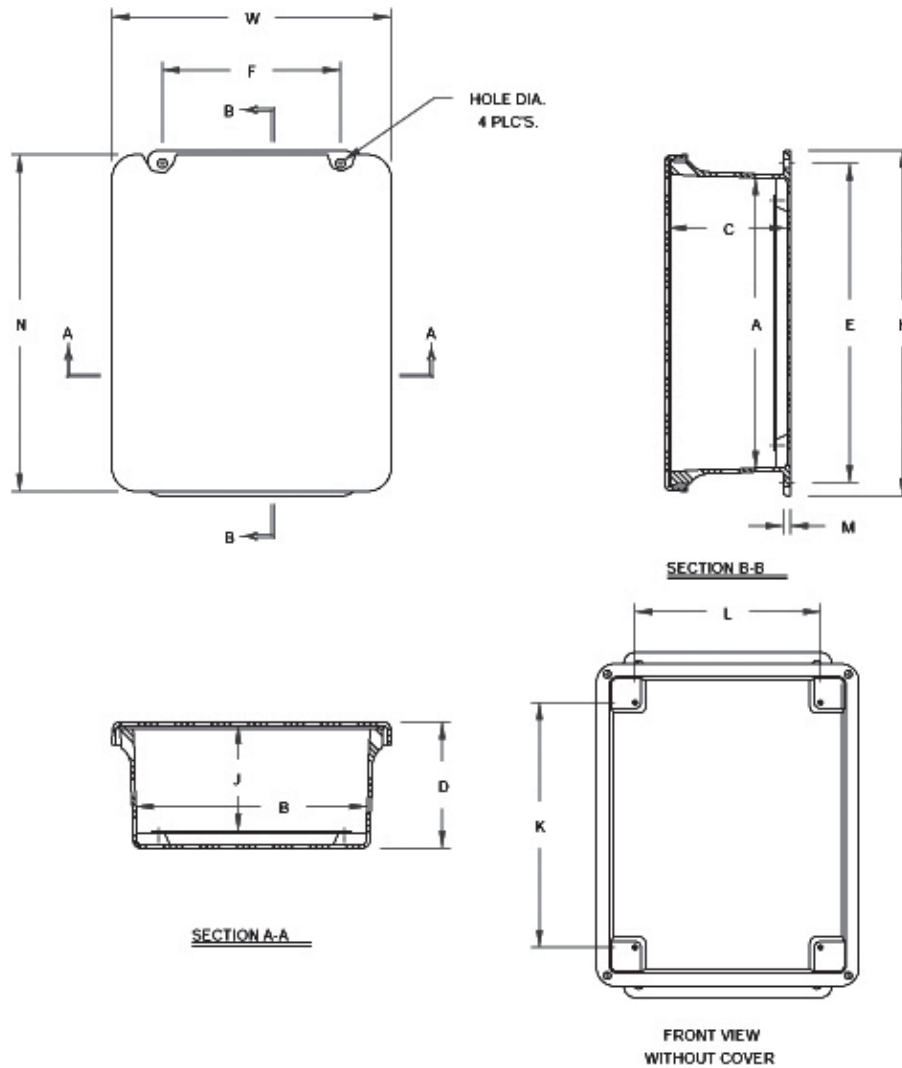
- Hot compression molded fiberglass reinforced polyester (thermoset)
- Non-corrosive and UV resistant
- Smooth surface, no color variations, swirls, or color pockets
- Non-flame propagating and chemical resistant
- Color described as Light Gray

### CERTIFICATIONS

- UL 50
- CSA Std 22.2 No. 94
- NEMA Type 1, 2, 4X, 6P, 12
- Temperature Range - 40° C to +120° C (-40° F to +250° F)
- Flammability Rating UL94-5V



# NEMA Type 4X



**FIBERGLASS - WITH WINDOW**

Catalog #			Overall Dimensions			Inside Dimensions			Mounting Dimensions			Weight	Panel Cat #
Screw Cover	Screw Cover w/Window	Hinged Twist Latch	A	B	C	H	W	D	M	N	P	Lbs.	
N4X-FG-060404CHSCW	N4X-FG-060404CHQRW	N4X-FG-060404CHTLW	7.50	5.43	4.75	5.84	3.85	4.45	6.75	2	4	2.5 lbs.	BP64A
N4X-FG-060604CHSCW	N4X-FG-060604CHQRW	N4X-FG-060604CHTLW	7.50	7.50	4.75	5.72	5.72	4.45	6.75	4	4	2.75 lbs.	BP66A
N4X-FG-080604CHSCW	N4X-FG-080604CHQRW	N4X-FG-080604CHTLW	9.62	7.50	4.74	7.73	5.74	4.45	8.88	4	4	3.5 lbs.	BP86A
N4X-FG-080804CHSCW	N4X-FG-080804CHQRW	N4X-FG-080804CHTLW	9.56	9.47	5.09	7.73	7.73	7.82	8.75	6	4.24	3.5 lbs.	BP88A
N4X-FG-100804CHSCW	N4X-FG-100804CHQRW	N4X-FG-100804CHTLW	11.62	9.41	4.25	9.73	7.73	3.98	10.75	6	3.50	5 lbs.	BP108A
N4X-FG-100805CHSCW*	N4X-FG-100805CHQRW*	N4X-FG-100805CHTLW*	11.62	9.37	5.06	9.73	7.73	4.83	10.75	6	4.37	5 lbs.	BP108A
N4X-FG-121005CHSCW	N4X-FG-121005CHQRW	N4X-FG-121005CHTLW	13.56	11.43	5.21	11.79	9.8	4.94	12.75	8	4.50	6.5 lbs.	BP1210A
N4X-FG-121206CHSCW	N4X-FG-121206CHQRW	N4X-FG-121206CHTLW	13.56	13.47	6.56	11.70	11.70	6.29	12.75	10	5.71	6.5 lbs.	BP1212A
N4X-FG-140707CHSCW	N4X-FG-140707CHQRW	N4X-FG-140707CHTLW	15.87	8.75	6.81	14.0	7.00	6.56	15.00	5	6.12	6.25 lbs.	BP1407A
N4X-FG-141206CHSCW	N4X-FG-141206CHQRW	N4X-FG-141206CHTLW	15.50	13.5	6.25	13.53	11.55	5.94	14.62	10	5.37	8.5 lbs.	BP1412A
N4X-FG-161406CHSCW	N4X-FG-161406CHQRW	N4X-FG-161406CHTLW	17.53	15.46	6.23	15.63	13.6	5.94	16.75	12	5.36	11.5 lbs.	BP1614A
N4X-FG-181608CHSCW	N4X-FG-181608CHQRW	N4X-FG-181608CHTLW	19.62	17.61	8.82	17.69	15.69	8.45	18.88	12	7.99	19.25 lbs.	BP1816A

\*Crowned cover – center of cover raised 3/4"

All measurements are in inches



# NEMA Type 4X

## XD (Extra Deep) Series

Fiberglass

### **STANDARD FEATURES**

- Ten standard sizes available
- Clamshell design with latch in middle allows extra depth
- Twist latch cover
- Full length stainless steel hinged cover
- Integral mounting flange
- Cover opens full 180°+
- Mounting bosses with threaded brass inserts for mounting panel installation
- Poured polyurethane gasket provides water-tight, dust-tight seal
- Light weight and impact resistant

### **DESIGN OPTIONS**

- Mounting panels
- Drilled entries and cut-outs available
- Molded in custom colors
- Silk screening, paint, and decals

### **MATERIAL**

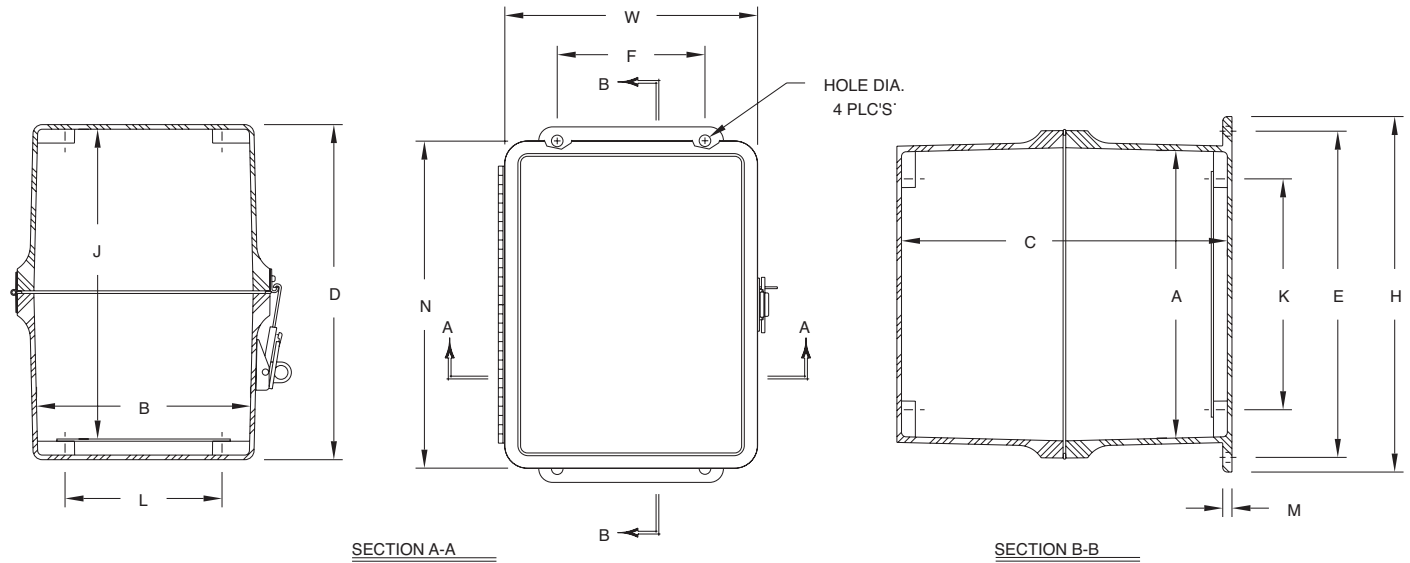
- Hot compression molded fiberglass reinforced polyester
- Non-corrosive and UV resistant
- Smooth surface, no color variations, swirls, or color pockets
- Non-flame propagating and chemical resistant
- Color described as Light Gray

### **CERTIFICATIONS**

- UL 50
- CSA Std 22.2 No. 94
- NEMA Type 1, 3, 4X, 12
- Temperature Range - 40° C to +120° C (-40° F to +250° F)
- Flammability Rating UL94-5V



# NEMA Type 4X



Fiberglass

### FIBERGLASS - EXTRA DEEP

Catalog #	Overall Dimensions			Inside Dimensions			Mounting Dimensions			Weight Lbs.	Panel Cat #
	A	B	C	H	W	D	M	N	P		
N4X-FG-060608XD	7.5	6.88	9.07	5.72	5.72	8.69	6.75	4	8.23	4.25lbs.	BP66A
N4X-FG-080608XD	9.62	6.84	9.07	7.73	5.74	8.69	8.88	4	8.23	4.25 lbs.	BP86A
N4X-FG-080810XD	9.56	8.84	9.43	7.73	7.73	9.06	8.75	6	8.48	6.25 lbs.	BP88A
N4X-FG-100808XD	11.62	8.81	8.09	9.73	7.73	7.84	10.75	6	7.39	6.25 lbs.	BP108A
N4X-FG-121010XD	13.56	10.83	10.06	11.79	9.8	9.69	12.75	8	9.24	8.25 lbs.	BP1210A
N4X-FG-121212XD	13.56	12.84	12.37	11.7	11.7	12	12.75	10	11.42	10.25 lbs.	BP1212A
N4X-FG-141212XD	15.5	12.83	12.06	13.5	11.55	11.7	14.62	10	11.11	10.25 lbs.	BP1412A
N4X-FG-161412XD	17.53	14.88	12.05	15.63	13.6	11.7	16.75	12	11.12	12.25 lbs.	BP1614A
N4X-FG-181617XD	19.62	16.91	17.19	17.69	15.69	16.63	18.88	12	16.17	14.25 lbs.	BP1816A
N4X-FG-201617XD	22	17	17.21	19.71	15.71	16.63	21.25	10	16.17	14.25 lbs.	BPJ2016A

All measurements are in inches

## Polycarbonate Series

### STANDARD FEATURES

- 11 standard sizes with opaque or clear cover designs
- Captive screws or quick release locking latch
- T-Rail mounting system for face plates, swing panels and layered back panels
- Threaded brass inserts for mounting panel and mounting feet installation
- Watertight gasket provides ingress protection against water and dirt
- Light weight and impact resistant

### DESIGN OPTIONS

- Mounting panels and swing panels
- Drilled entries and cut-outs
- Molded in custom colors
- Silk screening, paint, and decals
- Mounting feet or flanges
- Mounting panel suspension kit

### MATERIAL

- Engineered thermoplastic
- High impact resistant with tensile strength of 900 in/lbs.
- Non-corrosive and UV resistant
- Smooth surface, no color variations, swirls, or color pockets
- Non-flame propagating and chemical resistant
- Color is light gray with a high gloss finish

### CERTIFICATIONS



- UL / cUL 50
- NEMA Type 1, 3, 4X, 6P, (screw cover only), 12 and marine use
- IP68 (screw cover) / IP66 (locking latch)



N4XP-HLL Series



N4XP-HCLL Series



N4XP-S Series



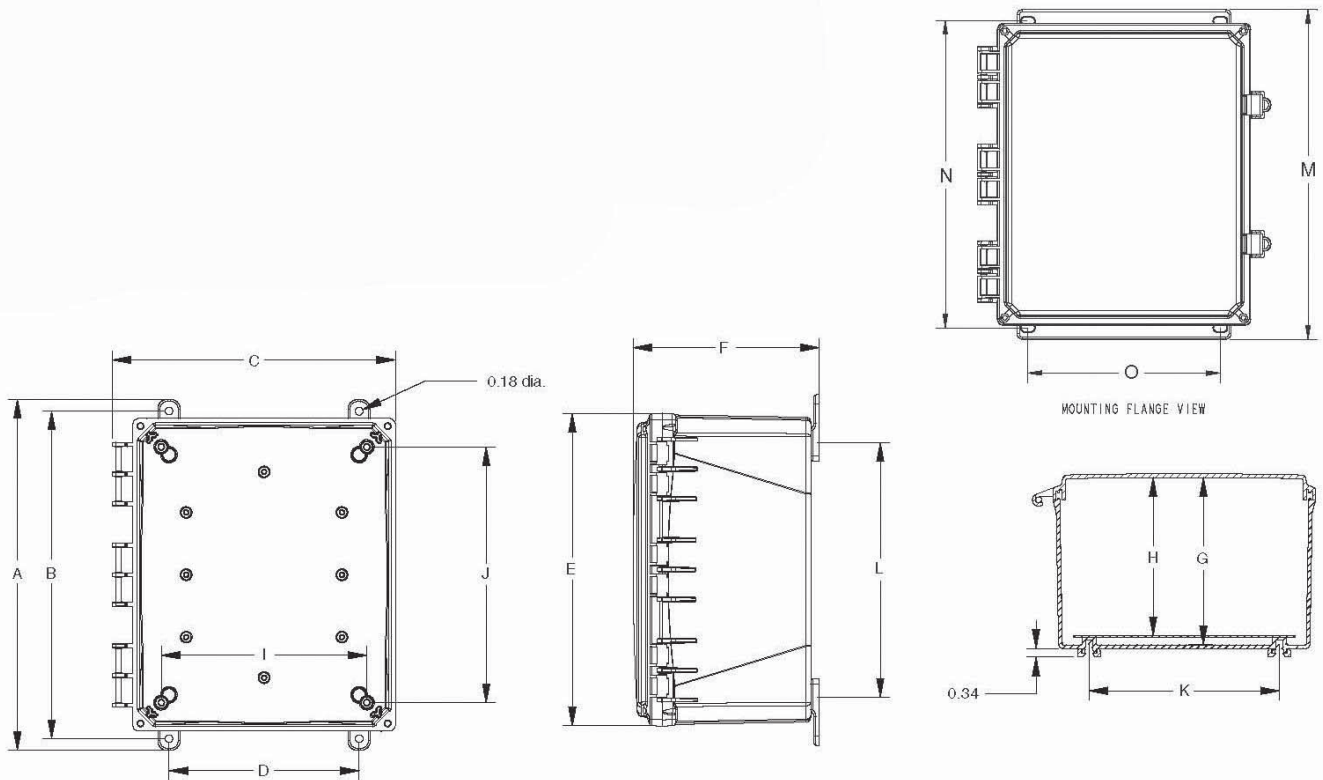
N4XP-SC Series

# Polycarbonate Series

## OPAQUE SCREW COVER

	lbs.	A	B	D	C	E	F	G	H	I x J	K.	M	N	O	Panel Size
N4XP-H060604S	2	8.00	7.10	3.60	6.50	6.50	5.20	4.75	4.25	4.25 x 4.25	3.60	7.69	6.75	3.98	4.88 x 4.88
N4XP-H080604S	2.5	9.75	9.37	8.44	6.44	8.44	5.20	4.75	4.25	4.25x6.25	4.00	9.69	8.75	3.98	6.75x4.88
N4XP-H080804S	3	9.70	11.43	8.40	8.50	8.40	5.20	4.75	4.25	6.25x6.25	5.25	10.06	9.12	6.00	6.75x6.75
N4XP-H100802S	3	12.69	11.10	10.50	8.50	10.50	3.30	2.66	9.94	6.25x8.25	5.63	11.69	10.75	6.00	8.75x6.75
N4XP-H100804S	3	12.25	11.10	10.50	8.50	10.50	5.20	4.75	4.25	6.25x8.25	5.63	11.69	10.75	6.00	8.75x6.88
N4XP-H100806S	3.5	12.00	11.10	10.50	8.50	10.50	7.25	6.75	6.25	6.25x8.25	5.63	11.69	10.75	6.00	8.75x6.88
N4XP-H121004S	4	14.00	12.75	12.50	11.50	12.50	5.20	4.75	4.25	8.25x10.25	8.00	13.82	12.88	8.00	10.75x8.88
N4XP-H121006S	4.5	14.00	13.13	12.50	10.50	12.50	7.25	6.75	6.25	8.25x10.25	7.60	13.69	12.75	8.00	10.75x8.88
N4XP-H141206S	6	15.75	14.75	14.58	12.58	14.58	7.30	6.75	6.25	10.25x12.25	10.00	16.95	16.01	9.88	12.75x10.88
N4XP-H161407S	8	17.63	16.75	16.50	14.50	16.50	8.50	8.00	7.50	12.25x14.25	12.00	17.59	16.65	12.13	14.75x12.88
N4XP-H181610S	13	19.56	18.75	19.00	17.00	19.00	11.50	11.00	10.50	14.25x16.25	14.00	19.71	18.77	14.16	16.75x14.88

Polycarbonate

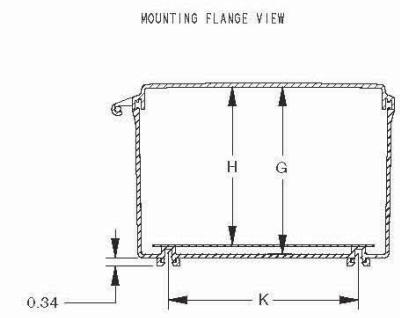
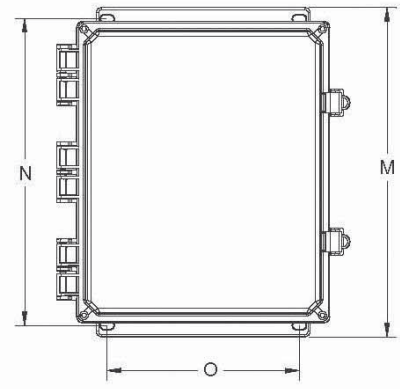
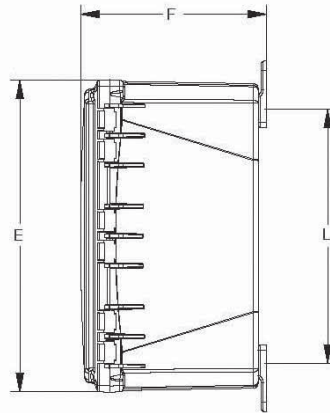
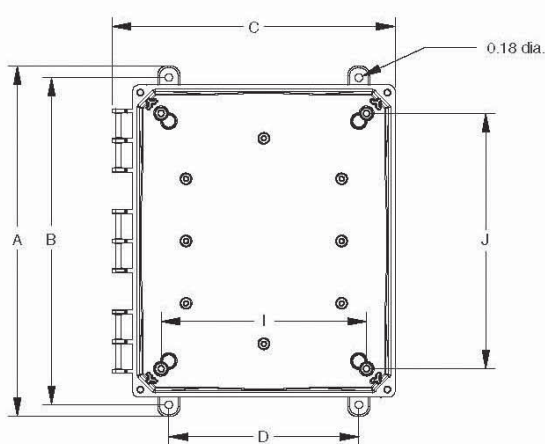


## Polycarbonate Series

### OPAQUE HINGE COVER WITH LOCKING LATCH

Polycarbonate

Catalog #	With Mounting Feet									With Flange					Panel Size
	lbs.	A	B	D	C	E	F	G	H	I x J	K	M	N	O	
N4XP-H060604S	2	8.00	7.10	3.60	6.50	6.50	5.20	4.75	4.25	4.25 x 4.25	3.60	7.69	6.75	3.98	4.88 x 4.88
N4XP-H080604S	2.5	9.75	9.37	8.44	6.44	8.44	5.20	4.75	4.25	4.25x6.25	4.00	9.69	8.75	3.98	6.75x4.88
N4XP-H080804S	3	9.70	11.43	8.40	8.50	8.40	5.20	4.75	4.25	6.25x6.25	5.25	10.06	9.12	6.00	6.75x6.75
N4XP-H100802S	3	12.69	11.10	10.50	8.50	10.50	3.30	2.66	9.94	6.25x8.25	5.63	11.69	10.75	6.00	8.75x6.75
N4XP-H100804S	3	12.25	11.10	10.50	8.50	10.50	5.20	4.75	4.25	6.25x8.25	5.63	11.69	10.75	6.00	8.75x6.88
N4XP-H100806S	3.5	12.00	11.10	10.50	8.50	10.50	7.25	6.75	6.25	6.25x8.25	5.63	11.69	10.75	6.00	8.75x6.88
N4XP-H121004S	4	14.00	12.75	12.50	11.50	12.50	5.20	4.75	4.25	8.25x10.25	8.00	13.82	12.88	8.00	10.75x8.88
N4XP-H121006S	4.5	14.00	13.13	12.50	10.50	12.50	7.25	6.75	6.25	8.25x10.25	7.60	13.69	12.75	8.00	10.75x8.88
N4XP-H141206S	6	15.75	14.75	14.58	12.58	14.58	7.30	6.75	6.25	10.25x12.25	10.00	16.95	16.01	9.88	12.75x10.88
N4XP-H161407S	8	17.63	16.75	16.50	14.50	16.50	8.50	8.00	7.50	12.25x14.25	12.00	17.59	16.65	12.13	14.75x12.88
N4XP-H181610S	13	19.56	18.75	19.00	17.00	19.00	11.50	11.00	10.50	14.25x16.25	14.00	19.71	18.77	14.16	16.75x14.88

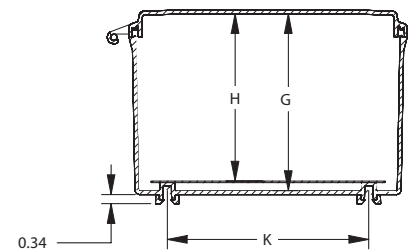
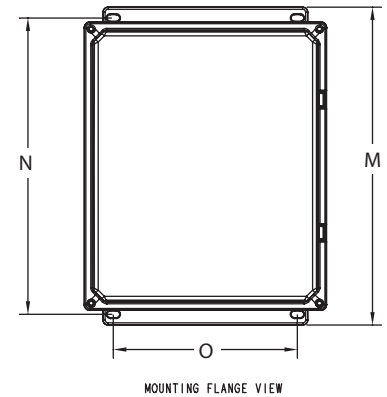
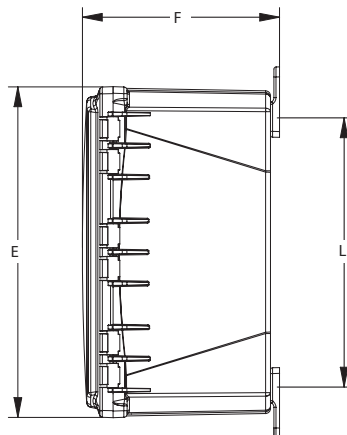
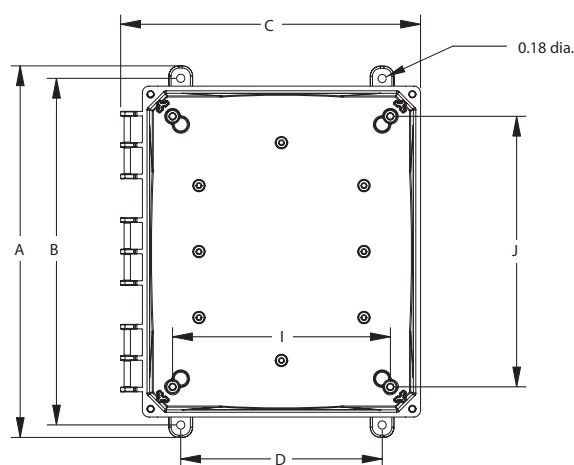


# Polycarbonate Series

## CLEAR SCREW COVER

Catalog #	Overall Dimensions			Inside Dimensions			Mounting Dimensions			Weight	Panel Cat #	Panel Dim.			
	lbs.	A	B	D	C	E	F	G	H			I x J	K	M	N
N4XP-H060604SC	2	8.00	7.10	3.60	7.40	6.50	5.20	4.75	4.25	4.25 x 4.25	3.60	7.69	6.75	3.98	4.88 x 4.88
N4XP-H080604SC	2.5	9.75	9.37	8.44	7.36	8.44	5.20	4.75	4.25	4.25x6.25	4.00	9.69	8.75	3.98	6.75x4.88
N4XP-H080804SC	3	9.70	11.43	8.40	9.30	8.40	5.20	4.75	4.25	6.25x6.25	5.63	10.06	9.12	6.00	6.75x6.75
N4XP-H100802SC	3	12.69	11.10	10.50	9.30	10.50	3.30	2.66	9.94	6.25x8.25	5.63	12.69	11.75	6.00	8.75x6.88
N4XP-H100804SC	3	12.25	11.10	10.50	9.30	10.50	5.20	4.75	4.25	6.25x8.25	5.63	11.69	10.75	6.00	8.75x6.88
N4XP-H100806SC	3.5	12.00	11.10	10.50	9.30	10.50	7.25	6.75	6.25	6.25x8.25	5.63	11.69	10.75	6.00	8.75x6.88
N4XP-H121004SC	4	14.00	12.75	12.50	11.50	12.50	5.20	4.75	4.25	8.25x10.25	8.00	13.82	12.88	8.00	10.75x8.88
N4XP-H121006SC	4.5	14.00	13.13	12.50	11.50	12.50	7.25	6.75	6.25	8.25x10.25	7.60	13.69	12.75	8.00	10.75x8.88
N4XP-H141206SC	6	15.75	14.75	14.58	13.50	14.58	7.30	6.75	6.25	10.25x12.25	10.00	16.95	16.01	9.88	12.75x10.88
N4XP-H161407SC	8	17.63	16.75	16.50	15.00	16.50	8.50	8.00	7.50	12.25x14.25	12.00	17.59	16.65	12.13	14.75x12.88
N4XP-H181610SC	13	19.56	18.75	19.00	17.75	19.00	11.50	11.00	10.50	14.25x16.25	14.00	19.71	18.77	14.16	16.75x14.88

Polycarbonate

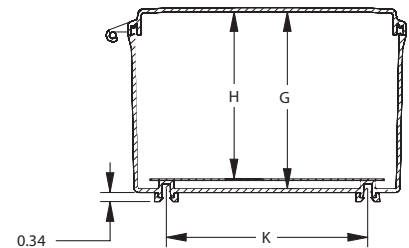
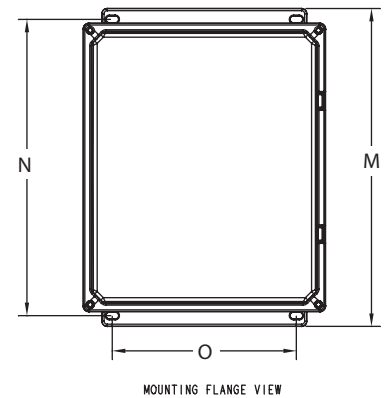
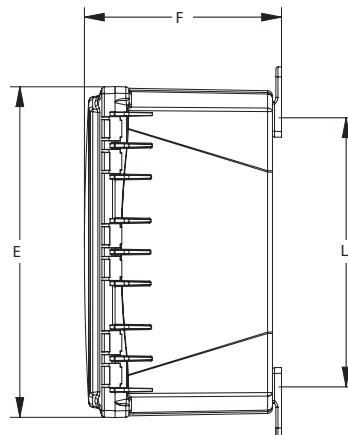
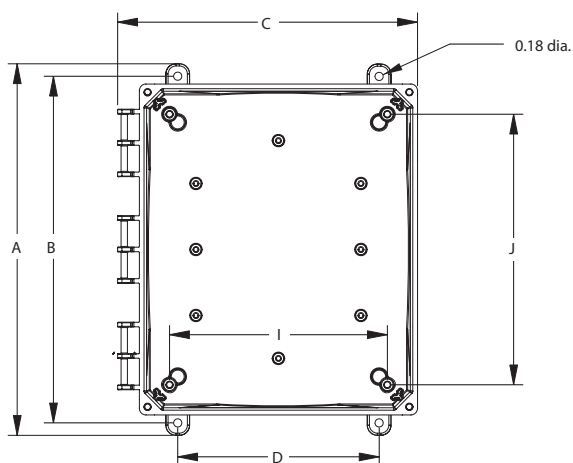


## Polycarbonate Series

### CLEAR HINGE COVER WITH LOCKING LATCH

Polycarbonate

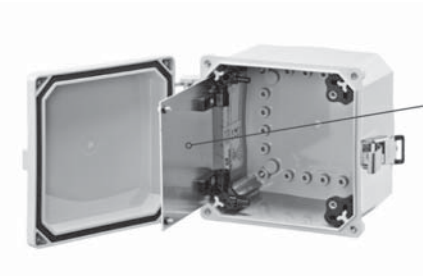
Catalog #	Overall Dimensions			Inside Dimensions			Mounting Dimensions			Weight	Panel Cat #	Panel Dim.				Panel Size
	lbs.	A	B	D	C	E	F	G	H			I x J	K	M	N	
N4XP-H060604HCLL	2	8.00	7.10	3.60	7.40	6.50	5.20	4.75	4.25	4.25 x 4.25	3.60	7.69	6.75	3.98	4.88 x 4.88	
N4XP-H080604HCLL	2.5	9.75	9.37	8.44	7.36	8.44	5.20	4.75	4.25	4.25x6.25	4.00	9.69	8.75	3.98	6.75x4.88	
N4XP-H080804HCLL	3	9.70	11.43	8.40	9.30	8.40	5.20	4.75	4.25	6.25x6.25	5.63	10.06	9.12	6.00	6.75x6.75	
N4XP-H100802HCLL	3	12.69	11.10	10.50	9.30	10.50	3.30	2.66	9.94	6.25x8.25	5.63	12.69	11.75	6.00	8.75x6.88	
N4XP-H100804HCLL	3	12.25	11.10	10.50	9.30	10.50	5.20	4.75	4.25	6.25x8.25	5.63	11.69	10.75	6.00	8.75x6.88	
N4XP-H100806HCLL	3.5	12.00	11.10	10.50	9.30	10.50	7.25	6.75	6.25	6.25x8.25	5.63	11.69	10.75	6.00	8.75x6.88	
N4XP-H121004HCLL	4	14.00	12.75	12.50	11.50	12.50	5.20	4.75	4.25	8.25x10.25	8.00	13.82	12.88	8.00	10.75x8.88	
N4XP-H121006HCLL	4.5	14.00	13.13	12.50	11.50	12.50	7.25	6.75	6.25	8.25x10.25	7.60	13.69	12.75	8.00	10.75x8.88	
N4XP-H141206HCLL	6	15.75	14.75	14.58	13.50	14.58	7.30	6.75	6.25	10.25x12.25	10.00	16.95	16.01	9.88	12.75x10.88	
N4XP-H161407HCLL	8	17.63	16.75	16.50	15.00	16.50	8.50	8.00	7.50	12.25x14.25	12.00	17.59	16.65	12.13	14.75x12.88	
N4XP-H181610HCLL	13	19.56	18.75	19.00	17.75	19.00	11.50	11.00	10.50	14.25x16.25	14.00	19.71	18.77	14.16	16.75x14.88	





Aluminum Back Panels

CATALOG NUMBER	DESCRIPTION	SIZE	WEIGHT (lbs.)
VABP66	Aluminum Panel for 6" x 6" enclosure	4.88"x4.88"	1
VABP86	Aluminum Panel for 8" x 6" enclosure	6.75"x4.88"	1
VABP88	Aluminum Panel for 8" x 8" enclosure	6.75"x6.75"	1
VABP66	Aluminum Panel for 10" x 8" enclosure	8.75"x6.88"	1
VABP108	Aluminum Panel for 12" x 8" enclosure	10.75"x8.88"	1
VABP1210	Aluminum Panel for 14" x 12" enclosure	12.75"x10.88"	2
VABP1412	Aluminum Panel for 16" x 14" enclosure	14.75"x12.88"	2
VABP1816	Aluminum Panel for 18" x 16" enclosure	16.75"x14.88"	3



Swing Panel Kits

CATALOG NUMBER	DESCRIPTION	SIZE
VABP-66SP/SOPK	Swing Panel Kit for 6" x 6" enclosure	4.88"x4.88"
VABP-66SP/SOPK	Swing Panel Kit for 8" x 6" enclosure	6.75"x4.88"
VABP-66SP/SOPK	Swing Panel Kit for 8" x 8" enclosure	6.75"x6.75"
VABP-66SP/SOPK	Swing Panel Kit for 10" x 8" enclosure	8.75"x6.88"
VABP-66SP/SOPK	Swing Panel Kit for 12" x 10" enclosure	10.75"x8.88"
VABP-66SP/SOPK	Swing Panel Kit for 14" x 12" enclosure	12.75"x10.88"
VABP-66SP/SOPK	Swing Panel Kit for 16" x 14" enclosure	14.75"x12.88"
VABP-66SP/SOPK	Swing Panel Kit for 18" x 16" enclosure	16.75"x14.88"



Back Panel Adjustment Kit

CATALOG NUMBER	DESCRIPTION
VBPAKB	Back Panel Adjustment Kit - Black
VBPAKG	Back Panel Adjustment Kit - Grey